

## SELECTION GUIDE

# MasterIN System

MODULAR INTERFACE WITH PUSH-IN TECHNOLOGY

48 Series - 4C Series - 58 Series - The most complete range of accessories  
39 Series - MasterINTERFACE - Ultra-slim, simple and versatile





# ABOUT US



Finder was founded in Italy in 1954. Since then it has been designing and manufacturing a wide range of electromechanical and electronic components for both the residential and industrial sectors.

Today, thanks to its global vision, Finder now distributes its products around the world through a network of 29 company-owned subsidiaries and more than 80 trade partnerships.

Finder is an international family made up of more than 1300 individuals, all united by the same values and passion for our products.



**14,500** different products to satisfy a myriad of applications. From products at the heart of automation to the control of machines, power, time, temperature, liquid level and light



OUR PRODUCTS CARRY MORE CERTIFICATIONS THAN ANY OTHER RELAY MANUFACTURER

## FINDER IS AN ITALIAN BRAND WITH A WORLDWIDE PRESENCE

- 4** PRODUCTION PLANTS IN EUROPE
- 29** SUBSIDIARIES
- +80** OFFICIAL DISTRIBUTORS



## ENVIRONMENTAL, SOCIAL AND GOVERNANCE (ESG)

Finder considers social and environmental sustainability as fundamental principles of doing business, just as it believes that business growth must develop in synergy with a conscious vision of the future. That is why Finder is committed to reducing and eliminating CO2 emissions, focusing on circularity, caring for its employees to foster a safe, fair and inclusive work environment, spreading a culture of integrity and transparency, and collaborating with stakeholders who share its values.

This focus is demonstrated by the company's commitment to the following internationally recognized projects and certifications:



ISO 9001:2015  
Quality management system



ISO 14001:2015  
Environmental management system



ISO 45001:2018  
Health and safety management system



ISO 14064-1 2018  
Carbon Footprint verification



FSC  
Forest Stewardship Council



AEOF  
Simplified customs and enhanced supply chain security



Crisis Prime Company  
Recognition of highest reliability of commercial relations

## AUTONOMY AND INDEPENDENCE

Finder's managerial, financial and technological autonomy allows optimal control over all its business processes, the results of which include simplified customs procedures and a high reliability of commercial relations.

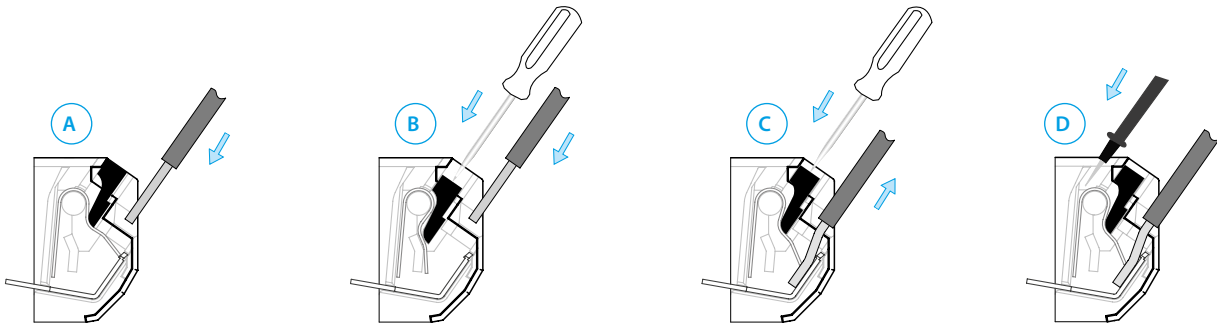
## Why choose MasterIN System?

The Finder MasterIN System comprises a family of four series of existing Relay Interface Modules, each differentiated by their respective rated current and number of contacts as well as their different sockets and accessories.

### Extremely simple, fast and secure installation

The **Push-in terminals** permit the quick connection of solid wires or ferrules by their simple insertion into the terminal. It is possible to open the terminal to extract the wire by first pushing down on the push-button using a screwdriver or fingers.

For stranded cable it is necessary first to open the terminal using the push button, both for the extraction and insertion.



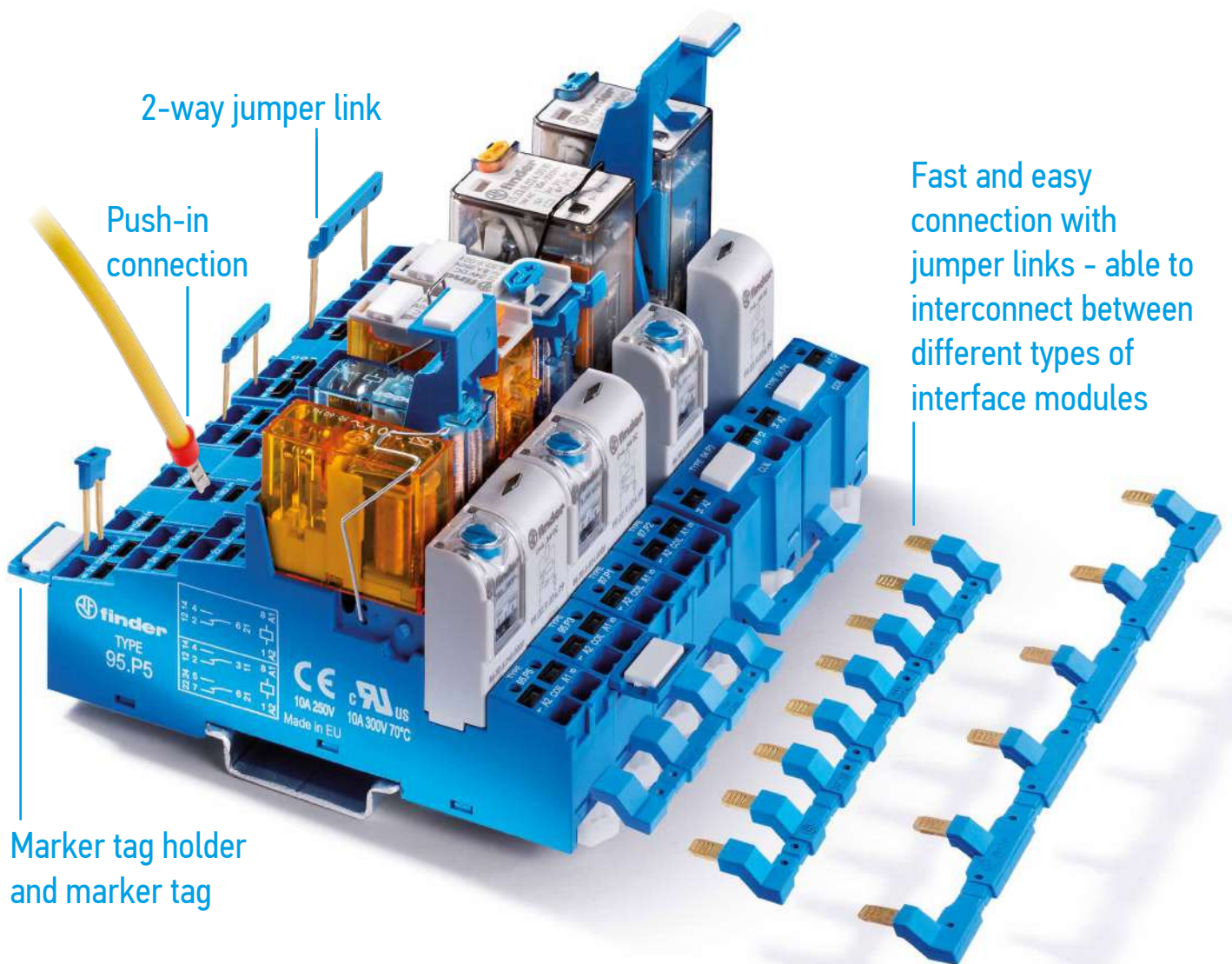
Push-in  
connection





## The most complete range of accessories

High speed wiring thanks to terminals with rapid Push-in Technology. Versatility and easy integration characterises all the latest accessories that complement this system.





Control panels



Carousel warehouses



Medical and dentistry



Panels for electrical distribution



Elevators and lifts

- AC coils & DC coils
- Nominal voltage: 12 - 24 - 110 - 125 V DC, 12 - 24 - 110 - 230 V AC
- Supply status indication and EMC coil suppression module
- 15.8 mm wide
- Available with instant ejection of relay using plastic retaining clip (packaging code SPA) or with metal retaining clip (packaging code SMA)

Certain relay/socket combinations



Type 48.P2 2 CO 8 A 250 V AC1

with forcibly guided contacts according to EN 61810-3, Type B (previously EN 50205)

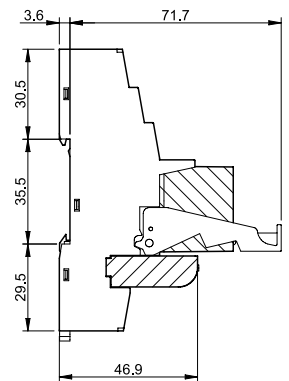
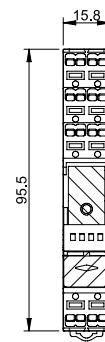
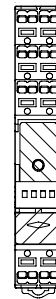
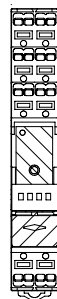
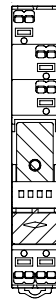
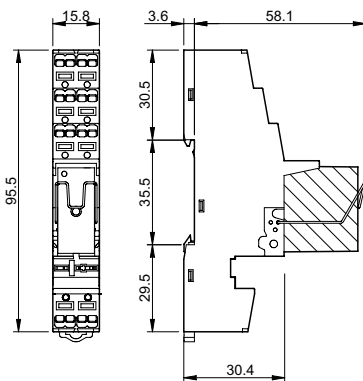


Type 48.P3 1 CO 10 A 250 V AC1

Type 48.P5 2 CO 8 A 250 V AC1

Type 48.P6 1 CO 16 A 250 V AC1

Type 48.P8 2 CO 10 A 250 V AC1



Combinations	Code	Socket	Relay	Module	Metal retaining clip (packaging code SMA)	Plastic retaining and release clip (packaging code SPA)
	48.P2	95.P5.7	50.12	—	095.71	095.91.3
	48.P3	95.P3	40.31	99.02	095.71	095.91.3
	48.P5	95.P5	40.52	99.02	095.71	095.91.3
	48.P6	95.P5	40.61	99.02	095.71	095.91.3
	48.P8	95.P5	40.62	99.02	095.71	095.91.3



Escalators



Road / tunnel  
lighting



Hoists and  
cranes



Panels for electrical  
distribution



Control panels

- AC coils & DC coils
- Nominal voltage: 12 - 24 - 110 - 125 V DC, 12 - 24 - 110 - 230 V AC
- Supply status indication and EMC coil suppression module
- 15.8 mm wide
- Available with instant ejection of relay using plastic retaining clip (packaging code SPA) or with metal retaining clip (packaging code SMA)

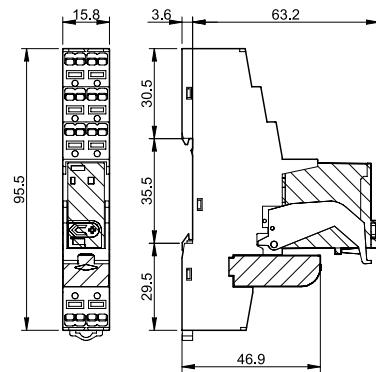
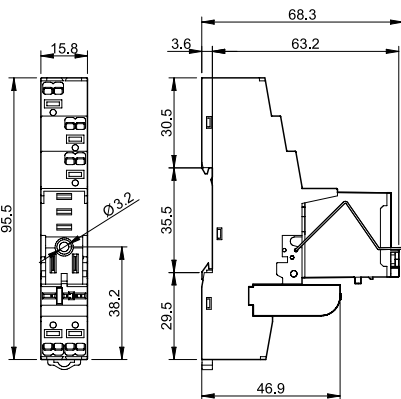
Certain relay/socket combinations



Type 4C.P1 1 CO 10 A 250 V AC1



Type 4C.P2 2 CO 8 A 250 V AC1



Combinations	Code	Socket	Relay	Module	Metal retaining clip (packaging code SMA)	Plastic retaining and release clip (packaging code SPA)
		4C.P1	97.P1	46.61	99.02	097.71
	4C.P2	97.P2	46.52	99.02	097.71	097.01



Control panels



Textile machines



Shipyards



Wood-processing machines



Hoists and cranes

- AC coils & DC coils
- Nominal voltage: 12 - 24 - 110 - 125 V DC, 12 - 24 - 110 - 230 V AC
- Supply status indication and EMC coil suppression module
- 31 mm wide
- Available with instant ejection of relay using plastic retaining clip (packaging code SPA) or with metal retaining clip (packaging code SMA)

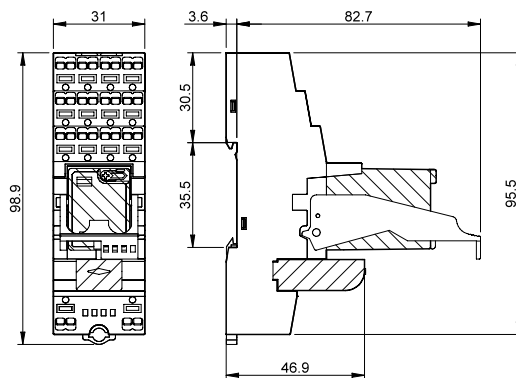
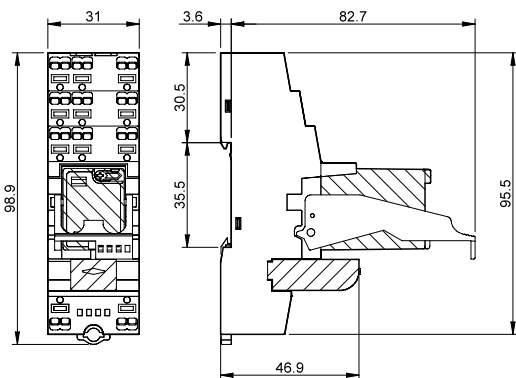
Certain relay/socket combinations



Type 58.P3 3 CO 10 A 250 V AC1



Type 58.P4 4 CO 7 A 250 V AC1



Combinations	Code	Socket	Relay	Module	Metal retaining clip (packaging code SMA)	Plastic retaining and release clip (packaging code SPA)
	58.P3	94.P3	55.33	99.02	094.71	094.91.3
	58.P4	94.P4	55.34	99.02	094.71	094.91.3



	Code		For interface
	<b>097.58</b>	8-way jumper link Rated values: 10 A - 250 V	Type 48.P3 Type 48.P5 Type 48.P6 Type 48.P8 Type 4C.P1 Type 4C.P2
	<b>094.52.1</b>	2-way jumper link Rated values: 10 A - 250 V	Type 58.P3 Type 58.P4
	<b>097.52</b>	2-way jumper link Rated values: 10 A - 250 V	Type 48.P3 Type 48.P5 Type 48.P6 Type 48.P8 Type 4C.P1 Type 4C.P2 Type 58.P3 Type 58.P4
	<b>097.42</b>	2-way jumper link Rated values: 10 A - 250 V	Type 48.P3 Type 48.P5 Type 48.P6 Type 48.P8 Type 4C.P1 Type 4C.P2
	<b>094.56</b>	6-way jumper link Rated values: 10 A - 250 V	Type 58.P3 Type 58.P4 
	<b>097.00</b>	Marker tag holder The marker tag holder – for tags that can be used with CEMBRE's thermal transfer printers	Type 48.P3 Type 48.P5 Type 48.P6 Type 48.P8 Type 4C.P1 Type 4C.P2 Type 58.P3 Type 58.P4
	<b>060.48</b>	Sheet of marker tags for marker tag holder 48 tags, (6 x 12)mm, plastic, for CEMBRE transfer printers	—



Interfacing



Automotive



Food Industry

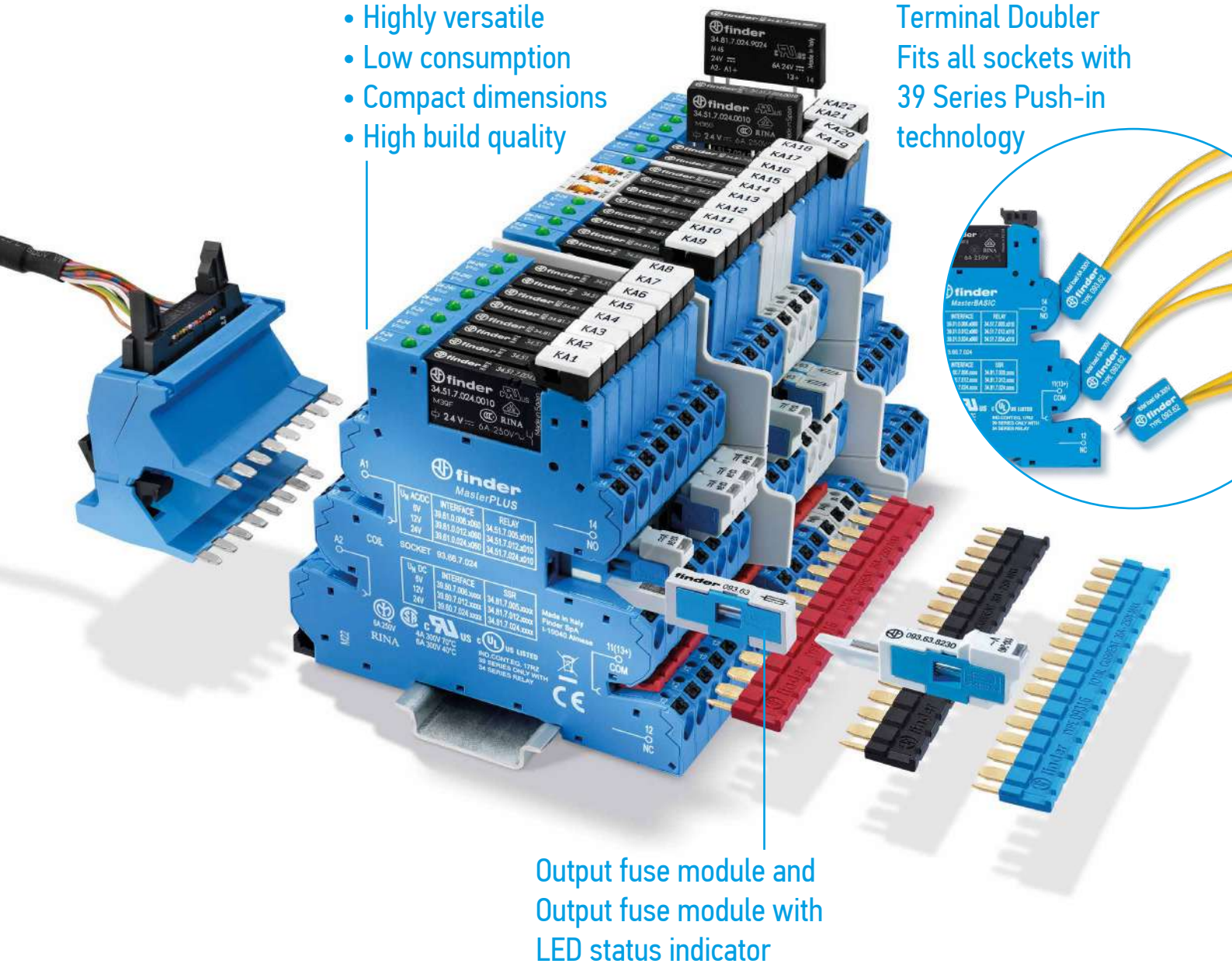


## Ultra-slim, simple and versatile

The 39 Series with a width of just 6.2 mm is the space-saving solution offering the greatest number of permutations of sockets and accessories.

- Highly versatile
- Low consumption
- Compact dimensions
- High build quality

Terminal Doubler  
Fits all sockets with  
39 Series Push-in  
technology



Output fuse module and  
Output fuse module with  
LED status indicator



Control panels



Packaging machines



Bottling plant



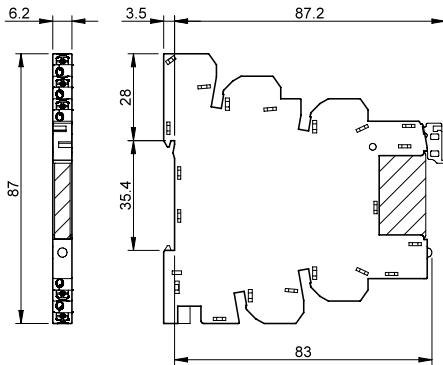
Labelling machines

- AC coils & DC coils
- Nominal voltage from 6 to 125 V AC/DC, 230 V AC
- Also available in multivoltage versions covering 24 to 240 V AC/DC
- Nominal contact rating: - 1 CO 6 A (EMR)  
- 1 NO up to 6 A (SSR)

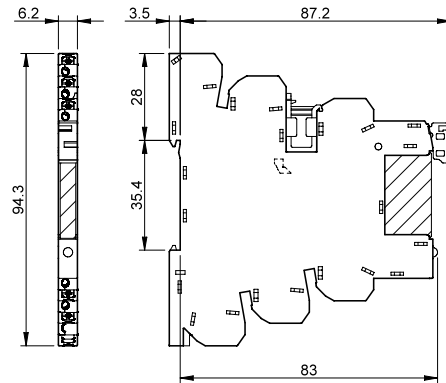
Certain relay/socket combinations



Type 39.01.0.024.0060 1 CO 6 A 250 V AC1



Type 39.61.7.024.0060 1 CO 6 A 250 V AC1



Combinations	Code	Socket	Relay	Type Relay
MasterBASIC	39.01	93.60	34.51	EMR
MasterPLUS	39.61	93.66	34.51	EMR
MasterINPUT	39.71	93.67	34.51	EMR
MasterOUTPUT	39.51	93.65	34.51	EMR
MasterBASIC	39.00	93.60	34.81	SSR
MasterPLUS	39.60	93.66	34.81	SSR
MasterINPUT	39.70	93.67	34.81	SSR
MasterOUTPUT	39.50	93.65	34.81	SSR





Industrial automation



Heating, ventilation and air conditioning



Panels for electrical distribution



Lifting and hoist systems

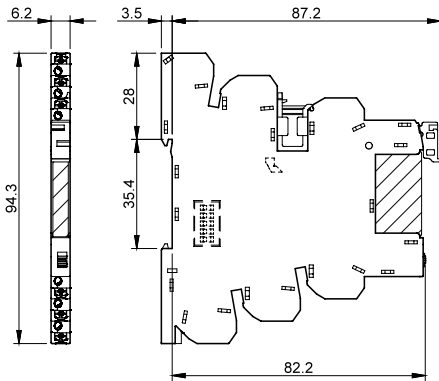
### MasterTIMER

- AC coils & DC coils
- Nominal voltage: 12 - 24 V AC/DC
- Nominal contact rating:
  - 1 CO 6 A (EMR)
  - 1 NO up to 6 A (SSR, only for timer)

Certain relay/socket combinations



Type 39.90.0.024.9024 1 NO 6 A 24 V DC



Atex compliant  
(Ex ec nC)  
option available

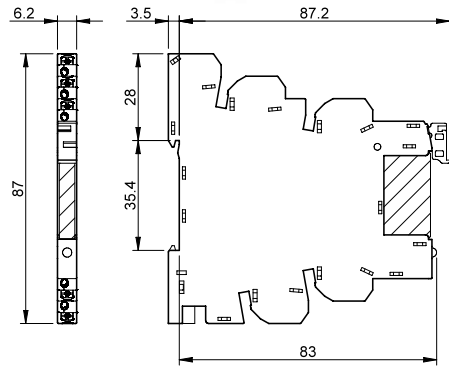


**HazLoc**






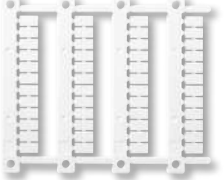
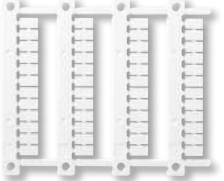


HazLoc Class I Div. 2,  
Group A, B, C, D - T5 - T6  
(option available)



Type 39.01.0.024.xx73 1 CO 6 A 250 V AC1



Combinations	Code	Socket	Relay	Type Relay
MasterTIMER	39.91	93.69	34.51	EMR
MasterTIMER	39.90	93.69	34.81	SSR
MasterBASIC - ATEX	39.01.x.xxx.0073	93.60.x.xxx.7	34.51.x.xxx.0000	EMR - ATEX - C1D2
MasterTIMER - ATEX	39.91.x.xxx.0073	93.69.x.xxx.7	34.51.x.xxx.0000	EMR - ATEX - C1D2

	Code	
	<p><b>093.63</b></p> 	<p>Output fuse module For 5 x 20 mm fuses up to 6 A 250 V Easy visibility of the fuse condition through the window Quick connection to socket</p>
	<p><b>093.63.0.024 - (6...24)V AC/DC</b> <b>093.63.8.230 - (110...240)V AC</b></p>	<p>Output fuse module with LED status indicator For 5 x 20 mm fuses up to 6 A 250 V Easy visibility of the fuse condition through the window Quick connection to socket</p>
	<p><b>093.16 (blue)</b> <b>093.16.0 (black)</b> <b>093.16.1 (red)</b></p>	<p>16-way jumper link Rated values: 36 A - 250 V  Possibility to serially "chain" jumper links</p>
	<p><b>093.60</b></p>	<p>Dual-purpose plastic separator 1.8 mm or 6.2 mm separation</p>
	<p><b>093.48</b></p>	<p>Sheet of marker tags 48 tags, (6 x 10)mm, plastic</p>
	<p><b>060.48</b></p>	<p>Sheet of marker tags for CEMBRE transfer printers, 48 tags, (6 x 12)mm, plastic</p>
	<p><b>093.62</b></p>	<p>Terminal Doubler Fits all sockets with 39 Series Push-in technology</p>
	<p><b>093.68.14.1</b></p>	<p>The MasterADAPTER permits the easy connection of A1/A2 terminals of up to 8 MasterINTERFACE modules to PLC outputs via a 14-Pole cable, plus simple 2-wire power supply connection</p>





FINDER S.p.A. sole proprietorship  
Via Drubiaglio, 14 - 10040 ALMESE (TO) ITALY  
tel +39 011 9346211 - export@findernet.com

[findernet.com](http://findernet.com)



Prices, features, specifications, capabilities, appearance and availability of our products and services are subject to change without notice.  
FINDER assumes no responsibility for the presence of possible errors or insufficient information in this document. In case of discrepancies between the printed and online versions, the latter prevails.