

18 SERIES
PIR Movement Detectors



PIR Movement Detectors for wall-box mounting
in internal installations

Type 18.91

Characterized by its compact size, the Type 18.91 is perfect for recessed integration with the best-known residential and commercial frame systems*. Ultra-modern design.

- Available in two colours: White and Anthracite
- Rated voltage: 230 V AC (50/60)Hz
- Selector for adjusting switching threshold: from 5 to 500 lux
- Selector for adjusting switch-off delay: from 10 seconds to 20 minutes
- Terminal for optional external override push-button to force on the output





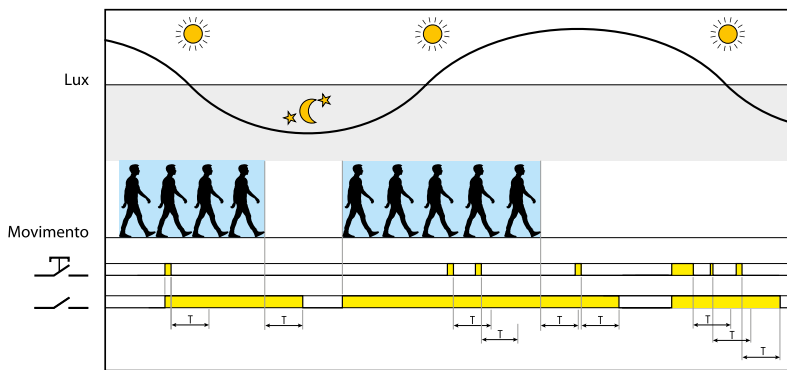
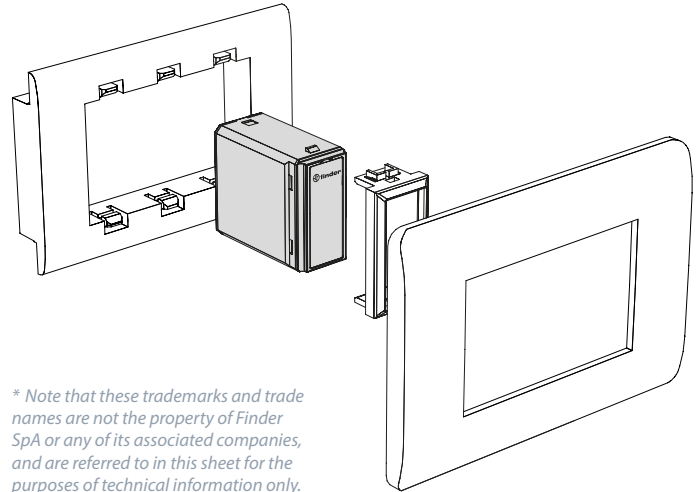
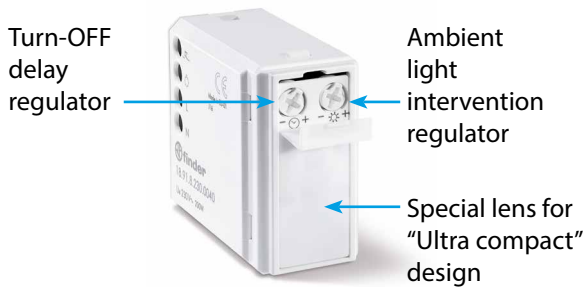
White
Type 18.91.8.230.0040



Anthracite
Type 18.91.8.230.0042

Optimally designed to detect movement in transit areas such as corridors and stairs, as well as places with frequent movement of people such as bathrooms. The 18.91 can deliver significant energy savings, enhancing personal convenience and safety. The special lens offers an ultra compact design, which is perfect for installation in any environment.

The Type 18.91 movement detector is compatible with most popular residential and commercial frame systems such as Bticino[®], Vimar[®], Gewiss[®] through the use of special adaptors included in the box.



The 18.91 works as a classic PIR movement detector but also features a special external push-button function. This can force the output to close, or force it to remain closed for the duration of the preset time (T). This is particularly useful and is typically used in transit areas - replacing existing control stations. It can also be used to achieve a timed solution for small areas.

Output specification

“Zero Crossing” technology achieves a longer service life for the output and higher performance when controlling the latest LED, fluorescent and halogen lamps.

Rated voltage	230 V AC
Power max.	200 W
Power min.	3 W
Nominal lamp rating 230 V:	
incandescent/halogen	200 W
toroidal electromagnetic transformers for LV halogen	200 W
E-core electromagnetic transformers for LV halogen	200 W
electronic transformers (ballasts) for LV halogen	200 W
compact fluorescent (CFL)	200 W
LED 230 V	200 W
electronic transformers	200 W

Sensing zone

