

Step relays



Lighting control
in corridors (for
hotels, offices
and hospitals)



Bedroom
light control



Living room
light control



26
SERIES

1 or 2 Pole electromechanical step relay with electrically separate coil and contact circuits

- 7 versions, with different switching sequences
- Box clamp connections
- AC coil
- Can be mounted behind blanking plates
- Cadmium free contact material

26.0x
Box clamp



*The lamp rating may vary, depending on the number and type of lamps, consequently it is suggested to consider the inrush current and $I^2 t$

For outline drawing see page 5

Contact specification

Contact configuration	1 NO (SPST-NO)	2 NO (DPST-NO)	1 NO + 1 NC (SPST-NO + SPST-NC)
Rated current	A	10	10
Inrush current/specific energy ($I^2 t$)	A/A ² s	200/16	200/16
Rated voltage	V AC	250	250
Rated load AC1	VA	2500	2500
Rated load AC15	VA	500	500
Nominal lamp rating: *			
Incandescent/halogen W	1800	1800	1800
LED lamps W	300	300	300
LED surface luminaires W	600	600	600
LED strips W	2000	2000	2000
LV halogen or LED with electronic drivers W	1000	1000	1000
Minimum switching load	mW	500	500
Standard contact material	AgSnO ₂	AgSnO ₂	AgSnO ₂

Coil specification

Nominal voltage (U_N)	V AC (50/60 Hz)	12 - 24 - 110 - 230	12 - 24 - 110 - 230	12 - 24 - 110 - 230
	V DC	—	—	—
Rated power AC	VA (50 Hz)	4.8	4.8	4.8
Operating range	AC (50 Hz)/AC (60 Hz)	(0.8...1.1)U _N / (0.85...1.1)U _N	(0.8...1.1)U _N / (0.85...1.1)U _N	(0.8...1.1)U _N / (0.85...1.1)U _N
	DC	—	—	—

Technical data

Mechanical life AC/DC	cycles	300 · 10 ³	300 · 10 ³	300 · 10 ³
Electrical life at rated load in AC1	cycles	100 · 10 ³	100 · 10 ³	100 · 10 ³
Minimum/Maximum impulse duration		0.1 s/1 h (according to EN 60669)	0.1 s/1 h (according to EN 60669)	0.1 s/1 h (according to EN 60669)
Max no. of illuminated push-button (≤ 1 mA)		5	5	5
Insulation between coil and contacts (1.2/50 μ s)	kV	—	—	—
Ambient temperature range	°C	-40...+40	-40...+40	-40...+40
Protection category		IP 20	IP 20	IP 20

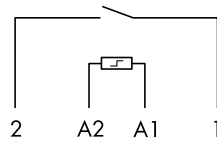
Approvals (according to type)



NEW 26.01



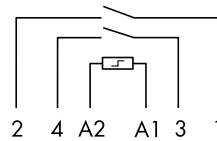
- Single phase switch 1 NO (SPST-NO)



NEW 26.02/04/05/06/08



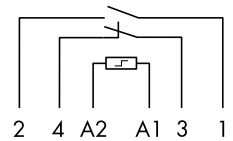
- Double phase switch 2 NO (DPST-NO)



NEW 26.03



- 1 NO + 1 NC (SPST-NO + SPST-NC)



Ordering information

Example: 26 series box clamp, double phase switch 2 NO (DPST-NO) 10 A contacts, coil rated 12 V AC.



- Series** ————— 2
- Type** ————— 6
- 0 = Box clamp
- No. of poles** ————— 0
- 1 = Single phase switch 1 NO (SPST-NO)
- 2 = Double phase switch 2 NO (DPST-NO)
- 3 = Double phase switch 1 NO + 1 NC (SPST-NO + SPST-NC)
- 4 = 4 sequences double phase switch 2 NO (DPST-NO)
- 5 = 4 sequences double phase switch 2 NO (DPST-NO)
- 6 = 3 sequences double phase switch 2 NO (DPST-NO)
- 8 = 4 sequences double phase switch 2 NO (DPST-NO)
- Contact material** ————— 4
- 4 = AgSnO₂
- Coil voltage** ————— 0
- See coil specifications
- Coil version** ————— 0
- 8 = AC (50 Hz)

Technical data

Insulation					
Dielectric strength					
between supply and contacts	V AC	3000 (1 contact), 2000 (2 contacts)			
between open contacts	V AC	1000			
between adjacent contacts	V AC	2000			
Other data		26.01/03/08	26.02/04/05/06		
Power lost to the environment					
with rated current and coil de-energised	W	0.9	1.8		
Screw torque	Nm	0.5		0.5	
Max. wire size		solid cable	stranded cable	solid cable	stranded cable
	mm ²	1 x 2.5 / 2 x 1.5	1 x 2.5 / 2 x 1.5	1 x 2.5 / 2 x 1.5	1 x 2.5 / 2 x 1.5
	AWG	1 x 14 / 2 x 16	1 x 14 / 2 x 16	1 x 14 / 2 x 16	1 x 14 / 2 x 16

Coil specifications

AC version data 50 Hz

Nominal voltage U _N	Coil code	Operating range		Resistance R	Consumption I at U _N (50 Hz) mA
		U _{min}	U _{max}		
V		V	V	Ω	
12	8.012	9.6	13.2	15	420
24	8.024	19.2	26.4	60	210
110	8.110	88	121	1400	42
230	8.230	184	253	6250	20

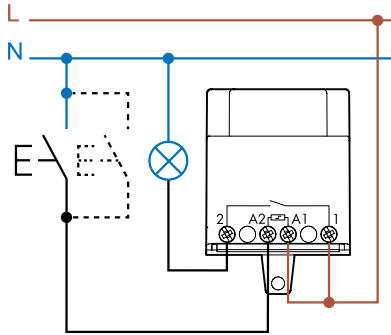
Type	Sequence/steps			
	1	2	3	4
26.01				
26.02				
26.03				
26.04				
26.05				
26.06				
26.08				

K

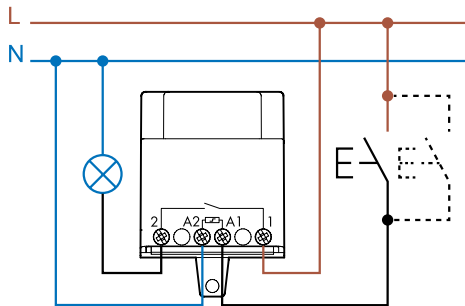
Wiring diagrams

Type 26.01

Version with 1 NO output
3 wire connection

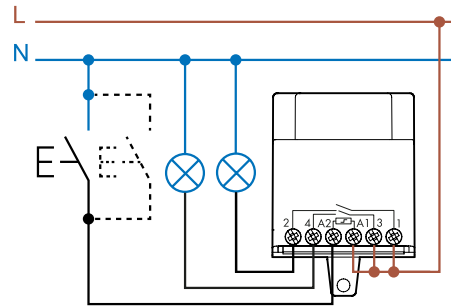


4 wire connection

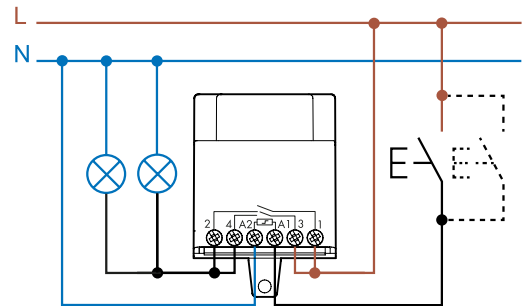


Type 26.0x

Version with 2 NO outputs
3 wire connection

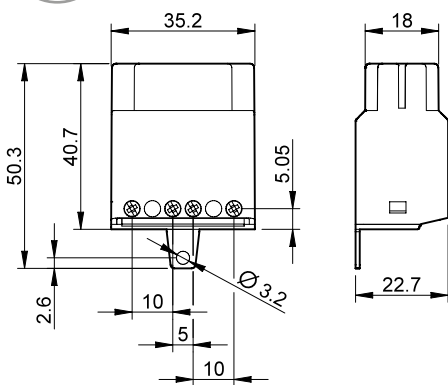


4 wire connection



Outline drawing

Version with 1 NO output
Box clamp



Version with 2 NO outputs
Box clamp

