

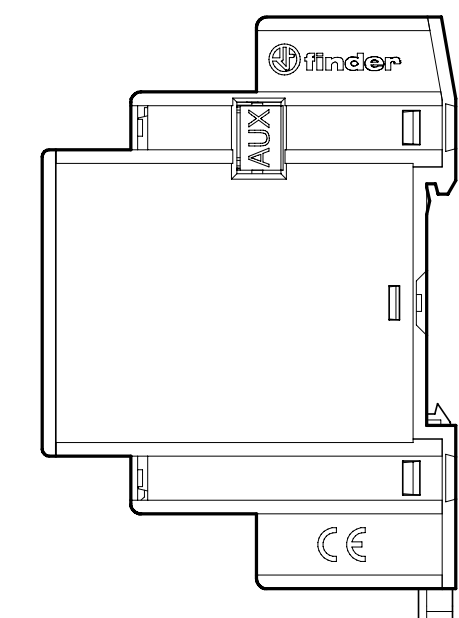
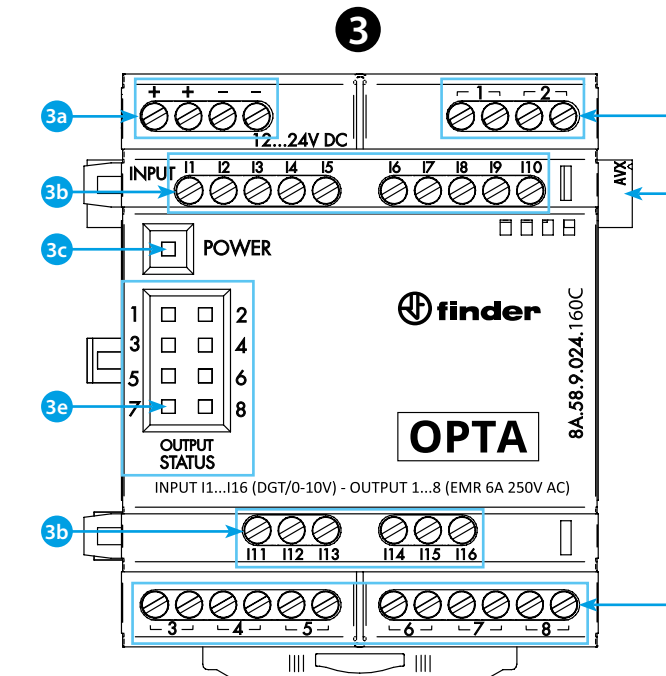
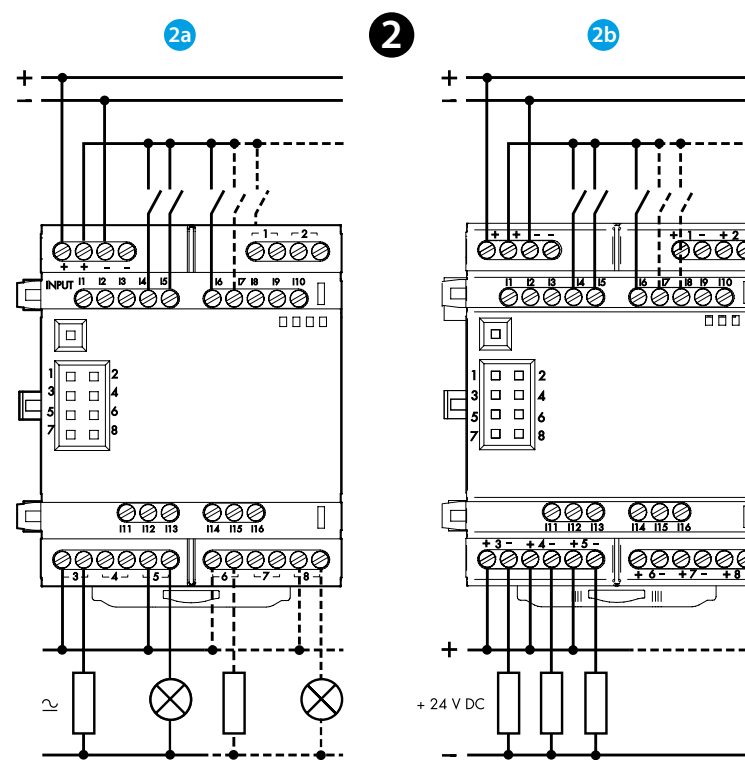
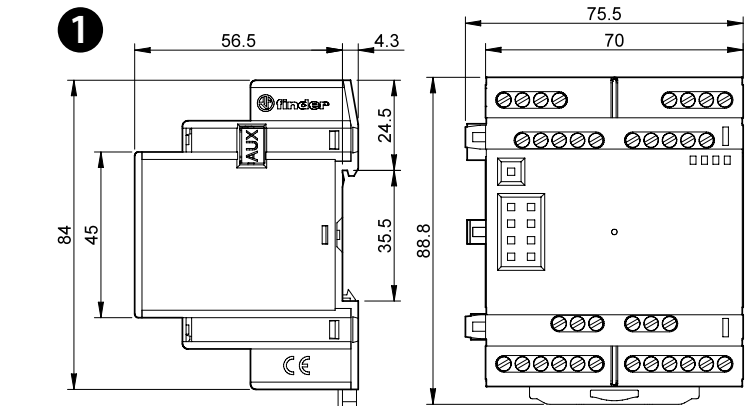
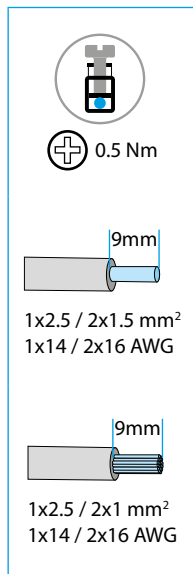


CODESYS



8A.58  
8A.88

	8A.58.9.024.160C 8A.88.9.024.160C
	U <sub>N</sub> (12...24) V DC +/-15% Class 2 source I < 200 mA
	8A.58.9.024.160C 8 NO (SPST) - EMR 6 A, 250 V AC1
	8A.88.9.024.160C 8 NO (SPST) SSR 3 A, 24 V DC1
	16 digital/analog (0...10 V)
	Auxiliary port, MAX 5 expansion modules
	(-20...+50)°C
Open type, EN 60715 rail mounting Environmental Conditions: Extended Humidity 5-95 RH% Altitude 2000 m IP20	
LISTED	ONLY FOR MOD: 8A.58



# ENGLISH

8A.58.9.024.1600 EMR output version  
8A.88.9.024.1600 SSR output version

- 1 DIMENSIONS**
- 2 WIRING DIAGRAM**
  - 2a Type 8A.58 EMR (Electromechanical Relays)
  - 2b Type 8A.88 SSR (Solid State Relays)
- 3 FRONT VIEW**
  - 3a Power supply terminals 12...24 V DC
  - 3b I1...I16 digital/analog input terminals (0...10 V) configurable via IDE
  - 3c Power LED
  - 3d Output terminals 1...8
    - EMR type 8A.58.9.024.160C NO contacts (SPST) 10 A 250 V AC
    - SSR type 8A.88.9.024.160C NO contacts (SPST) 3 A 24 V DC
  - 3e Contact status LED 1...8
  - 3f Port for communication and connection of auxiliary modules

**IMPORTANT**  
The expansion modules must be powered according to 3a and can operate exclusively in conjunction with an Opta controller which can connect up to 5 expansion modules in daisy chain. The autonomous operation of the expansions is not envisaged.

**GETTING STARTED GUIDE:** [opta.findernet.com](http://opta.findernet.com)  
If you wish to program your Finder OPTA Type 8A.58/88 while offline, you will need to install the CODESYS development environment and the Finder plug-in, both available on the [opta.findernet.com](http://opta.findernet.com) website. To connect the Finder OPTA Type 8A.58/88 to your computer, you will need a USB-C data cable. This also provides power to the Finder OPTA Type 8A.58/88, as indicated by the LED.

**NOTE**  
If the equipment is used in a manner not specified by the manufacturer, the protection provided by the equipment may be impaired.

