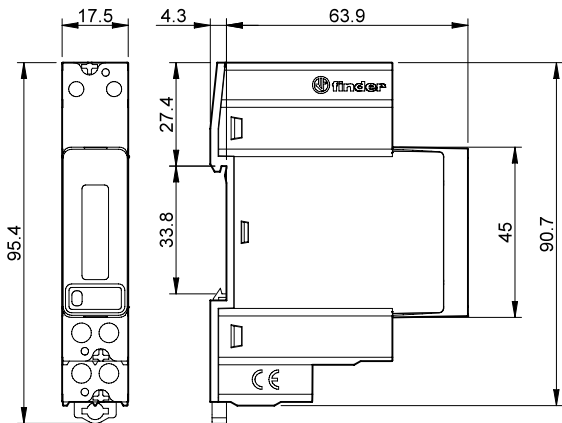




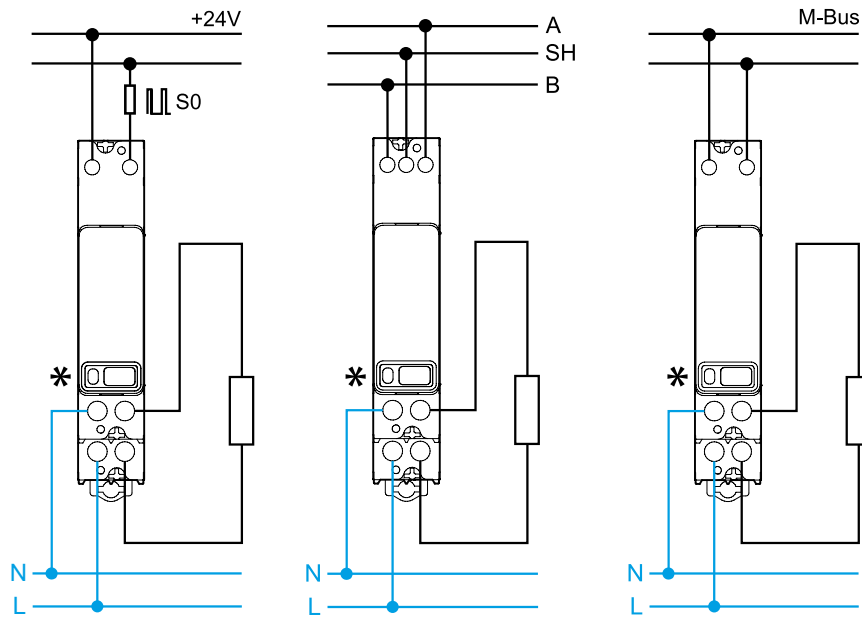
7M.24



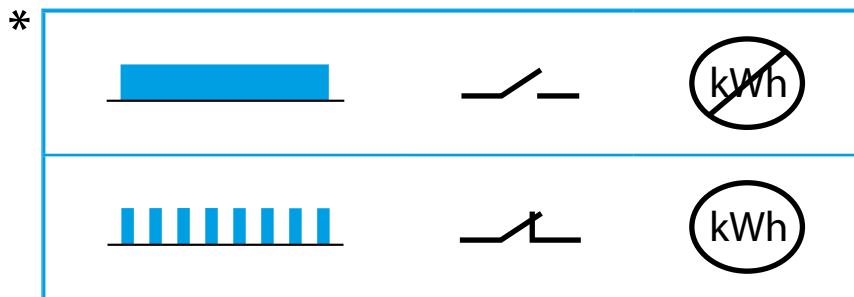
M-Bus	
Type	M-Bus
Speed	300 to 9600 bit/s, default 2400 bit/s
Primary address	0 - default

Modbus	
Type	RS485
Speed	1200 to 115200, default 19200 bit/s
Frame	8, N, 2
Protocol	Modbus RTU
Address	33 (default)

NFC *	
Model	7M.24.8.230.0110/210/310
Protocol	ISO/IEC 14443 Part 2 and 3 compliant
Frequency range	13,56 MHz
Baudrate	106 kbps
Operating distance	15mm Max



7M.24.8.230.0001
7M.24.8.230.0010
7M.24.8.230.0110* 7M.24.8.230.0210* 7M.24.8.230.0310*



ENGLISH

7M.24
Digital energy meter for the measurement of active energy suitable for electrical systems with the neutral conductor

The energy meters are intended for installation on a 35 mm DIN rail carried out by qualified personnel and installed inside switchboard.

Technical data		
Nominal current/Maximum current	In/Imax	5/40 A
Minimum measured current		0.25 A
Supply (& monitored) voltage	U _N	230 V
Operating range		(0.8...1.15)U _N
Frequency		50/60 Hz
Max. totalising count/Min. increment		999999.9/0.1 kW/h
Accuracy class EN 50470-3 NO MID/MID		1/B
S0 Output Specification		3.3...27 V DC / 27 mA
Pulse per kWh		1000 pulse length 32 ± 2 ms
Maximum cable length @ 27 V/27 mA		1000 m
Main inputs - wiring size		1.5...10 mm ²
Length of removed isolation		10 mm
Ferrule contact length		12 mm
Screw torque		0.8 Nm - 14 PH1
S0 terminals interface - wiring size		0.5...1 mm ²
Screw torque		0.4 Nm
Length of removed isolation		8 mm
Ambient temperature °C		-25°C...+55°C (in the absence of condensation)

* LED Steady: No load or load not connected
LED Pulsing: kWh measurement in progress

Model	Communication Port	MID	S0 Output	IR communication port	NFC programming
7M.24.8.230.0001	NO COM	-	•	-	-
7M.24.8.230.0010	NO COM	•	•	-	-
7M.24.8.230.0110	NO COM	•	•	•	•
7M.24.8.230.0210	MODBUS RS485	•	-	•	•
7M.24.8.230.0310	M-BUS	•	-	•	•

Nominal/frequency voltage	230 V 50/60 Hz
Current value: starting/minimum/maximum	0.02/0.25/40 A
Meter constant metrological LED	1 imp/Wh
Type approval certification	SI19-11-010MID
Active energy precision class	Class B kWh EN 50470-3
MID approval symbol	M20
Tipo di certificato di approvazione	SI19-11-011
Reactive energy precision class	Class 2 kvarh EN 62053-23
MID approval code	1376
Wiring type	1 phase, 2 wires
Mechanical environment	M1
Electromagnetic environment	E2