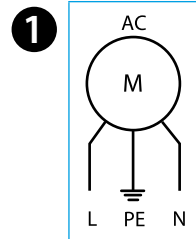




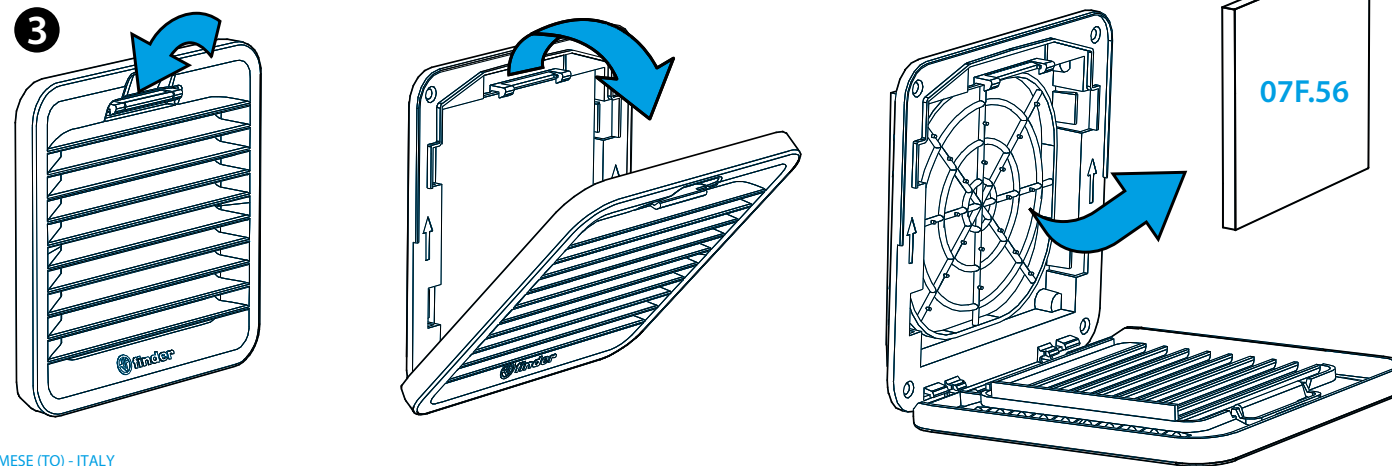
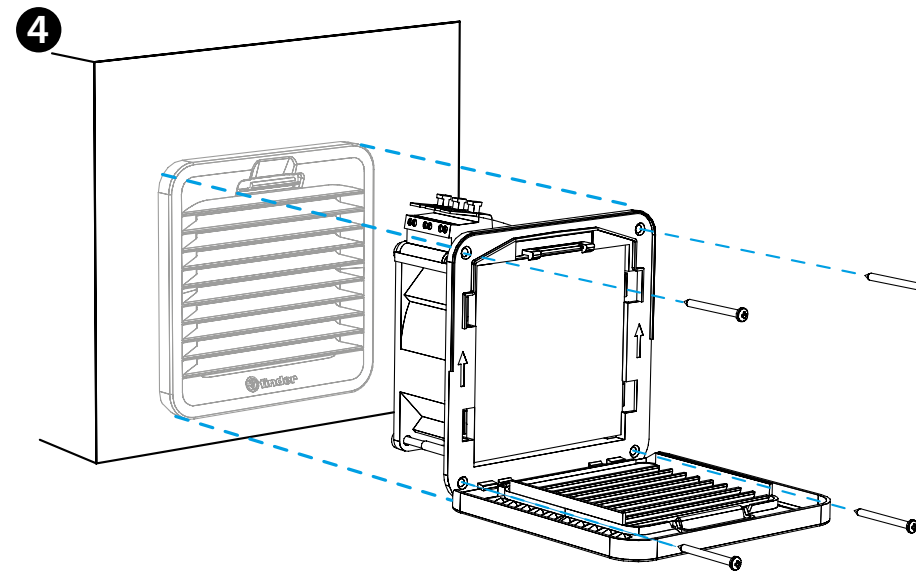
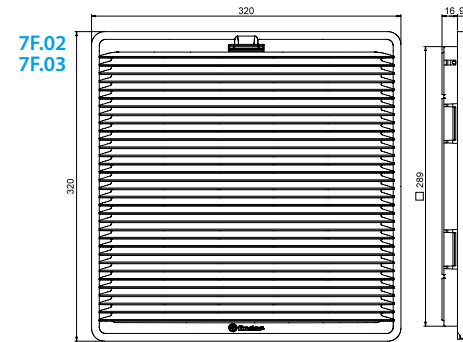
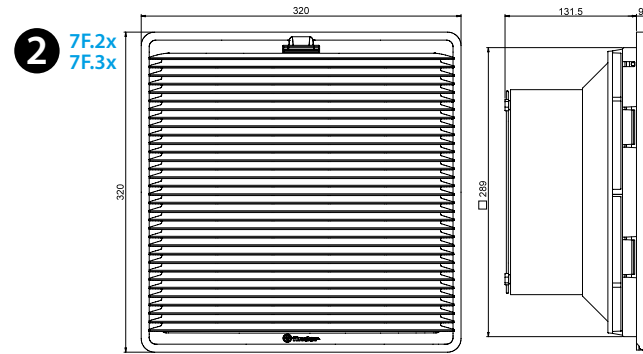
7F.20-5550  
7F.30-5550

7F.02  
7F.03

	7F.2x.x.xxx.5550 7F.2x.x.xxx.5550.0 7F.3x.x.xxx.5550
	U <sub>N</sub> 110...120 V AC (50/60 Hz) (8.120) U <sub>N</sub> 230...240 V AC (50/60 Hz) (8.230)
	P <sub>N</sub> 120 V AC (50/60 Hz) 75/102 W P <sub>N</sub> 230 V AC (50/60 Hz) 76/116 W
<b>OUT</b>	m <sup>3</sup> /h (50/60Hz) 550/605
	m <sup>3</sup> /h (50/60Hz) 400/440
	dB (A) 75 (AC)
	(-15...+55)°C (-30...+55)°C only for 7F.3x
	IP54 / Type 12 -> 7F.2x IP54 / Type 3R -> 7F.3x
	For Use on a Flat Surface of a Type 1, 12 Enclosure Use copper conductor only, 90°C min Conductor size 14-18 AWG Surrounding air temperature 55°C



	0.75...2.5 mm <sup>2</sup>
	18...14 AWG
	9mm



# ENGLISH

**FOR INDOOR USE:**  
7F.20 FILTER FAN  
7F.21 FILTER FAN WITH REVERSE FLOW FILTER

**FOR OUTDOOR USE:**  
7F.30 FILTER FAN  
7F.31 FILTER FAN WITH REVERSE FLOW FILTER

**1** WIRING DIAGRAM AC

**2** OUTLINE DRAWING (mm)  
7F.2x/3x Fan  
7F.02/03 Grid

**3** GRID OPENING - FILTER REPLACEMENT

Spare filters: Fan 07F.56  
Exhaust 07F.55

**Filter mat class**  
EU3 according to DIN 24185, filtering degree (80...90)%.

**Filter material**  
Synthetic fibre with progressive construction, temperature resistant to 100°C, self extinguishing, Class F1 (DIN 53438).

**4** MOUNTING (example)

The installation with the only clips is optimized for 1.5 mm thick sheets. It is also possible with thicknesses from 2.5 mm. Fixing with screws (supplied) is recommended. Tightening torque 0.3 Nm.

**NOTE**

**For indoor use**

7F.2x.x.xxx.5550	Fan	Grey Color	RAL 7035
7F.2x.x.xxx.5550.0	Fan	Black Color	RAL 9004
7F.02.0.000.5000	Grid	Grey Color	RAL 7035
7F.02.0.000.5000.0	Grid	Black Color	RAL 9004

**For outdoor use**

7F.3x.x.xxx.5550	Fan	Grey Color	RAL 7000
7F.03.0.000.5000	Grid	Grey Color	RAL 7000

