



7F.20-4400
7F.30-4400

7F.02
7F.03

7F.2x.x.xxx.4400
7F.2x.x.xxx.4400.0
7F.3x.x.xxx.4400



U_N 110...120 V AC (50/60 Hz) (8.120)
U_N 230...240 V AC (50/60 Hz) (8.230)

P_N 120 V AC (50/60 Hz) 72/120 W
P_N 230 V AC (50/60 Hz) 69/112 W

OUT

m³/h (50/60Hz) 400/445

m³/h (50/60Hz) 270/300

dB (A) 72 (AC)



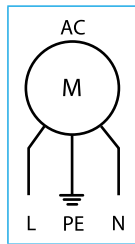
(-15...+55)°C
(-30...+55)°C only for 7F.3x

IP54 / Type 12 -> 7F.2x
IP54 / Type 3R -> 7F.3x



For Use on a Flat Surface of a Type 1, 12 Enclosure
Use copper conductor only, 90°C min
Conductor size 14-18 AWG
Surrounding air temperature 55°C

1



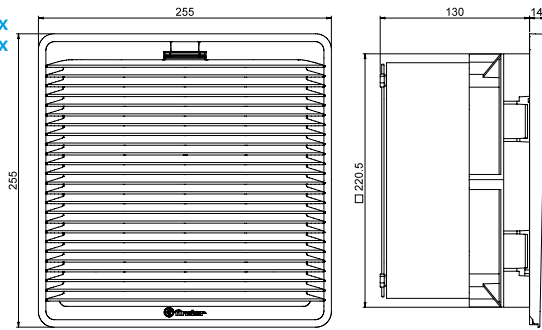
0.75...2.5 mm²

18...14 AWG

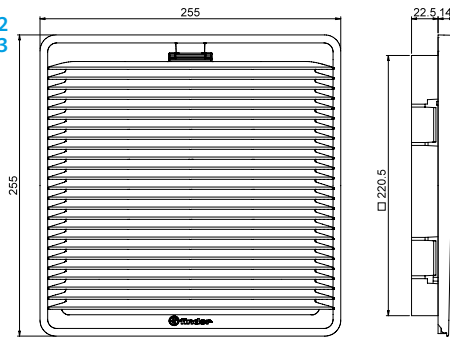
9mm

2

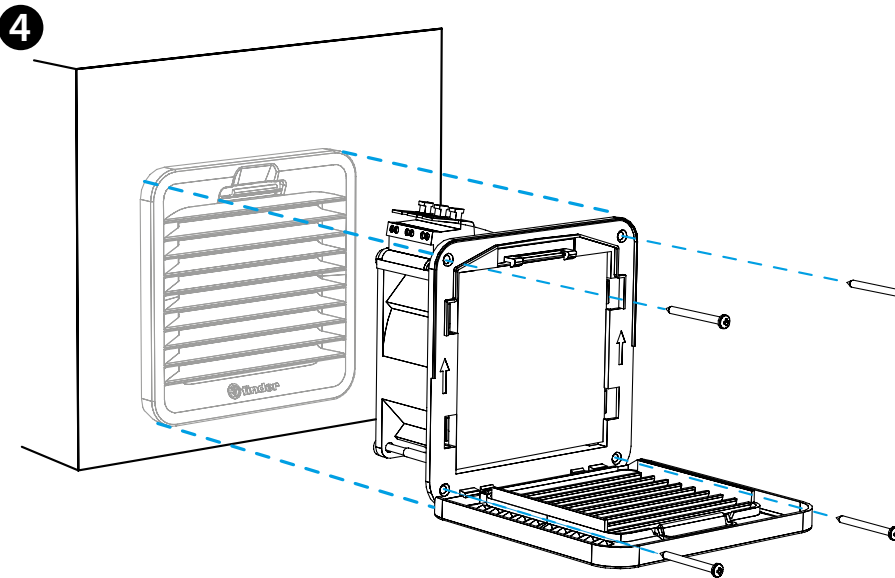
7F.2x
7F.3x



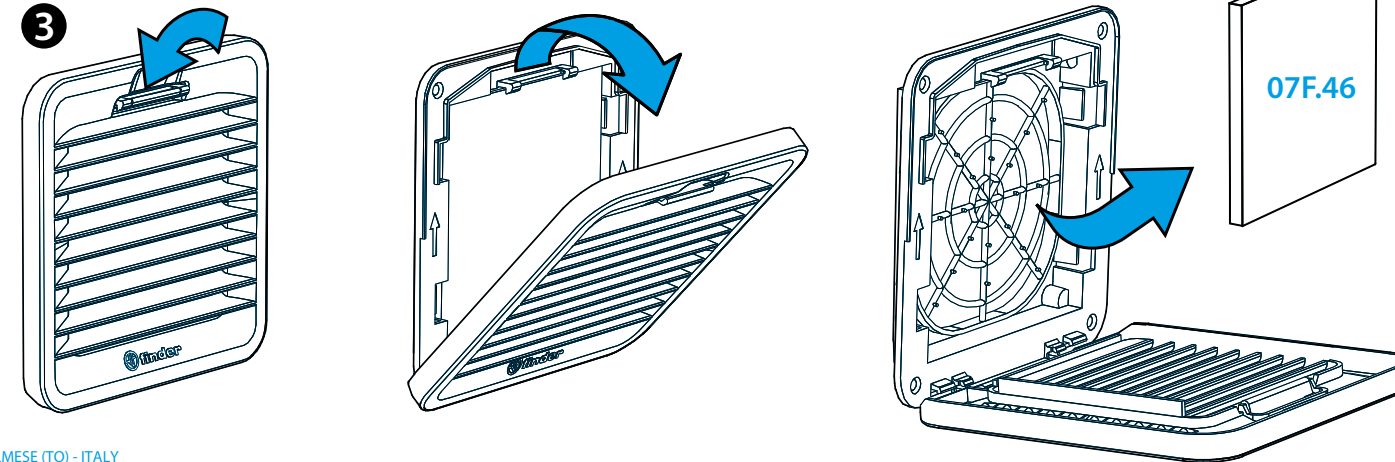
7F.02
7F.03



4



3



ENGLISH

FOR INDOOR USE:

7F.20 FILTER FAN

7F.21 FILTER FAN WITH REVERSE FLOW FILTER

FOR OUTDOOR USE:

7F.30 FILTER FAN

7F.31 FILTER FAN WITH REVERSE FLOW FILTER

1 WIRING DIAGRAM AC

2 OUTLINE DRAWING (mm)

7F.2x/3x Fan

7F.02/03 Grid

3 GRID OPENING - FILTER REPLACEMENT

Spare filters: Fan 07F.46

Exhaust 07F.45

Filter mat class

EU3 according to DIN 24185, filtering degree (80...90)%.

Filter material

Synthetic fibre with progressive construction, temperature resistant to 100°C, self extinguishing, Class F1 (DIN 53438).

4 MOUNTING (example)

The installation with the only clips is optimized for 1.5 mm thick sheets.

It is also possible with thicknesses from 2.5 mm.

Fixing with screws (supplied) is recommended.

Tightening torque 0.3 Nm.

NOTE

For indoor use

7F.2x.x.xxx.4400 Fan Grey Color RAL 7035

7F.2x.x.xxx.4400.0 Fan Black Color RAL 9004

7F.02.0.000.4000 Grid Grey Color RAL 7035

7F.02.0.000.4000.0 Grid Black Color RAL 9004

For outdoor use

7F.3x.x.xxx.4400 Fan Grey Color RAL 7000

7F.03.0.000.4000 Grid Grey Color RAL 7000