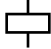




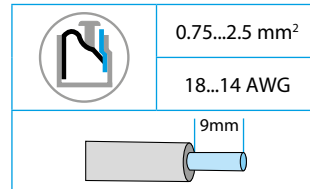
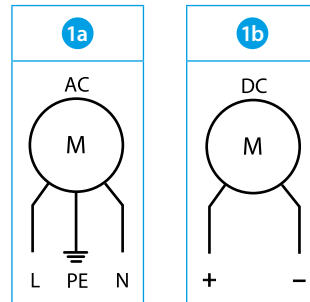


7F.20-3100  
7F.30-3100

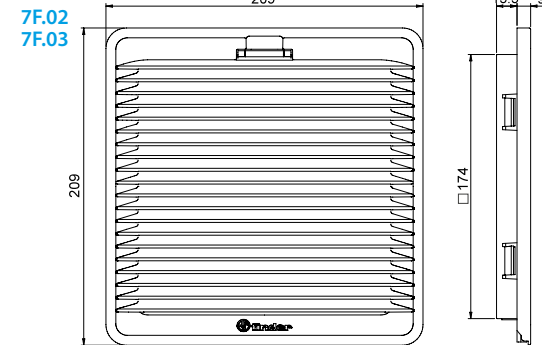
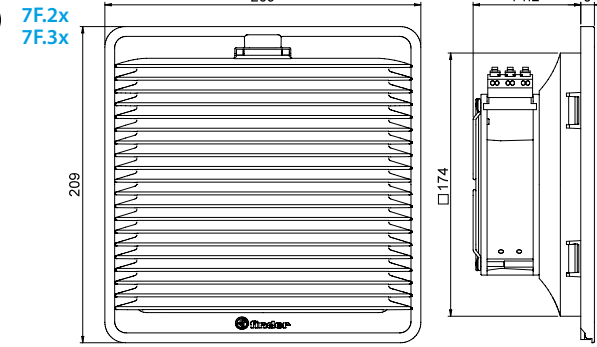
7F.02  
7F.03

	7F.2x.x.xxx.3100 7F.2x.x.xxx.3100.0 7F.3x.x.xxx.3100
	U <sub>N</sub> 110...120 V AC (50/60 Hz) (8.120) U <sub>N</sub> 230...240 V AC (50/60 Hz) (8.230) U <sub>N</sub> 24 V DC (9.024)
	P <sub>N</sub> 120 V AC (50/60 Hz) 30/25 W P <sub>N</sub> 230 V AC (50/60 Hz) 29/25 W P <sub>N</sub> 24 V DC 7 W
OUT	m <sup>3</sup> /h (50/60Hz) 100/115
	m <sup>3</sup> /h (50/60Hz) 75/85.5
	dB (A) 42 (AC) 45 (DC)
	(-15...+55)°C (-30...+55)°C only for 7F.3x
	IP54 / Type 12 -> 7F.2x IP54 / Type 3R -> 7F.3x
	For Use on a Flat Surface of a Type 1, 12 Enclosure Use copper conductor only, 90°C min Conductor size 14-18 AWG Surrounding air temperature 55°C

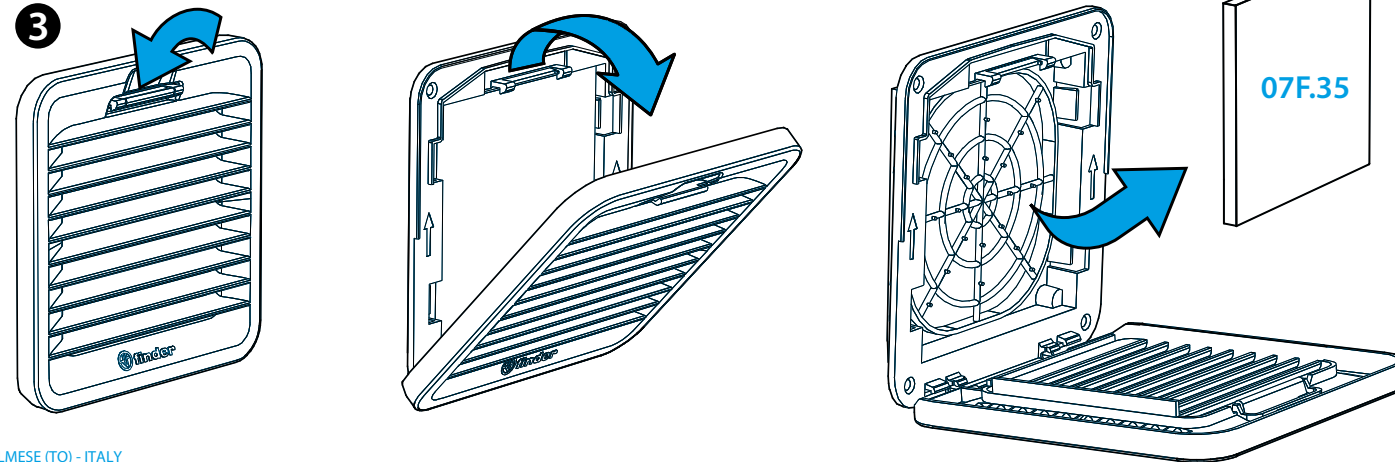
1



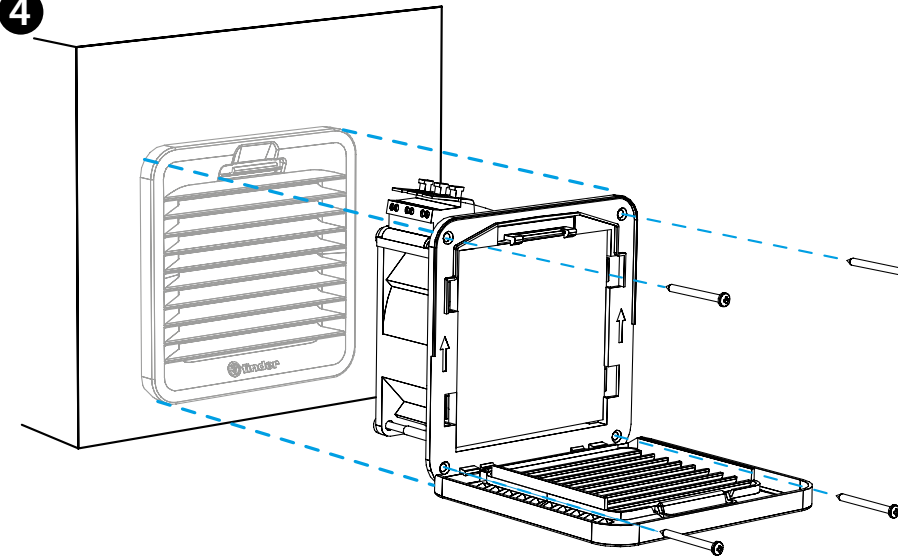
2



3



4



## ENGLISH

### FOR INDOOR USE:

7F.20 FILTER FAN  
7F.21 FILTER FAN WITH REVERSE FLOW FILTER

### FOR OUTDOOR USE:

7F.30 FILTER FAN  
7F.31 FILTER FAN WITH REVERSE FLOW FILTER

1 1a WIRING DIAGRAM AC  
1b WIRING DIAGRAM DC

2 OUTLINE DRAWING (mm)  
7F.2x/3x Fan  
7F.02/03 Grid

3 GRID OPENING - FILTER REPLACEMENT

Filter mat 07F.35.

Filter mat class

EU3 according to DIN 24185, filtering degree (80...90)%.

Filter material

Synthetic fibre with progressive construction, temperature resistant to 100°C, self extinguishing, Class F1 (DIN 53438).

4 MOUNTING (example)

The installation with the only clips is optimized for 1.5 mm thick sheets; it is also possible with thicknesses from 1 to 2.5 mm.

Fixing with screws (supplied) is recommended.

Tightening torque 0.3 Nm.

### NOTE

#### For indoor use

7F.2x.x.xxx.3100	Fan	Grey Color	RAL 7035
7F.2x.x.xxx.3100.0	Fan	Black Color	RAL 9004
7F.02.0.000.3000	Grid	Grey Color	RAL 7035
7F.02.0.000.3000.0	Grid	Black Color	RAL 9004

#### For outdoor use

7F.3x.x.xxx.3100	Fan	Grey Color	RAL 7000
7F.03.0.000.3000	Grid	Grey Color	RAL 7000