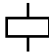


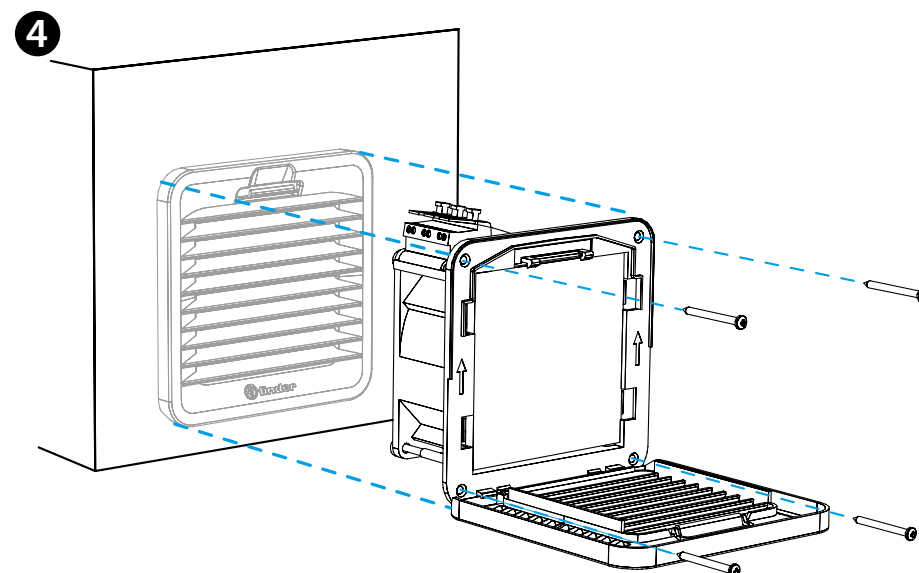
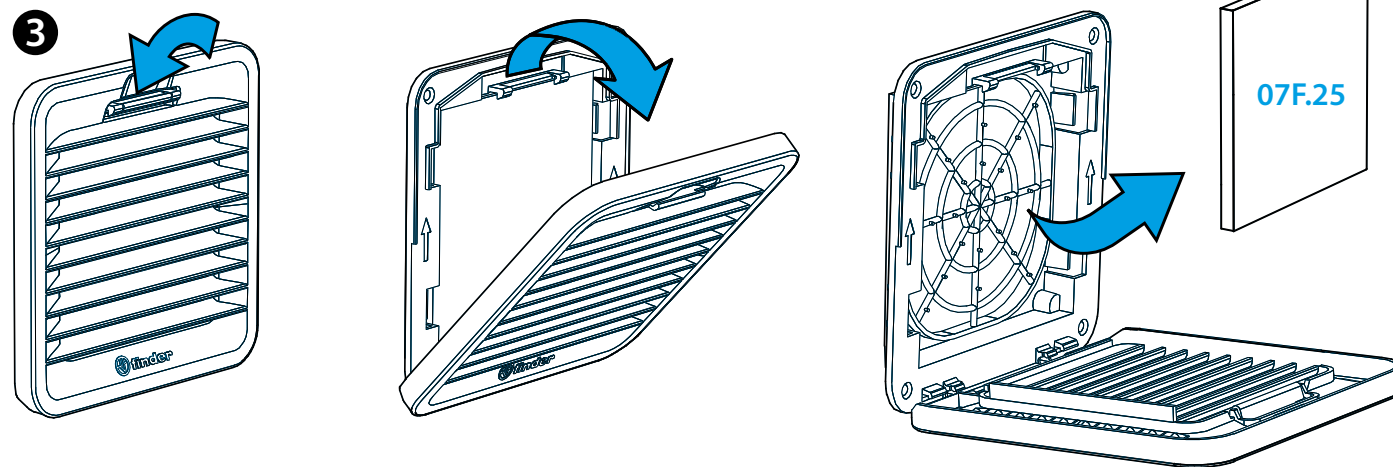
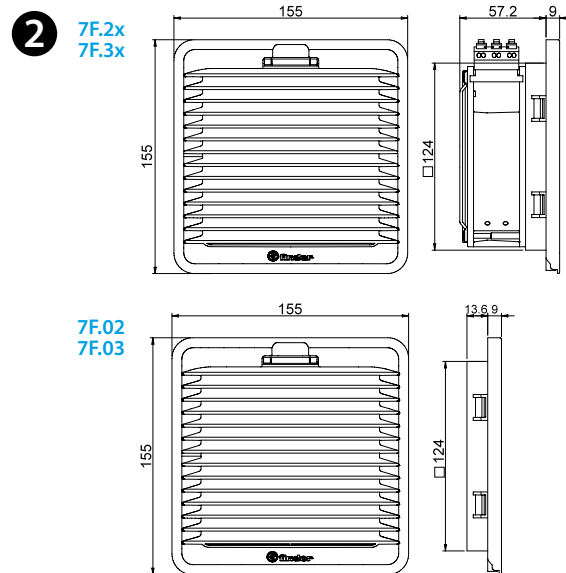
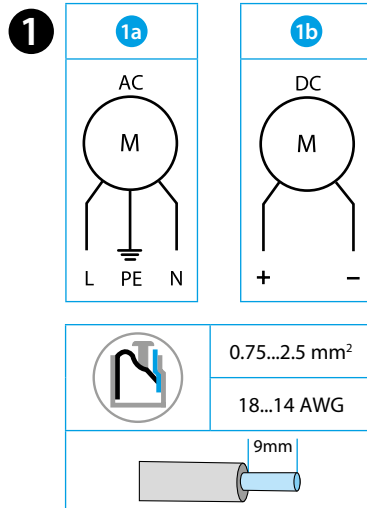




7F.20-2055
7F.30-2055

7F.02
7F.03

	7F.2x.x.xxx.2055 7F.2x.x.xxx.2055.0 7F.3x.x.xxx.2055
	U _N 110...120 V AC (50/60 Hz) (8.120) U _N 230...240 V AC (50/60 Hz) (8.230) U _N 24 V DC (9.024)
	P _N 120 V AC (50/60 Hz) 30/25 W P _N 230 V AC (50/60 Hz) 29/25 W P _N 24 V DC 7 W
OUT	m ³ /h (50/60Hz) 55/63
	m ³ /h (50/60Hz) 40/45.5
	dB (A) 42 (AC) 46 (DC)
	(-15...+55)°C (-30...+55)°C only for 7F.3x
	IP54 / Type 12 -> 7F.2x IP54 / Type 3R -> 7F.3x
 <p>For Use on a Flat Surface of a Type 1, 12 Enclosure Use copper conductor only, 90°C min Conductor size 14-18 AWG Surrounding air temperature 55°C</p>	



ENGLISH

FOR INDOOR USE:

7F.20 FILTER FAN

7F.21 FILTER FAN WITH REVERSE FLOW FILTER

FOR OUTDOOR USE:

7F.30 FILTER FAN

7F.31 FILTER FAN WITH REVERSE FLOW FILTER

1 1a WIRING DIAGRAM AC
1b WIRING DIAGRAM DC

2 OUTLINE DRAWING (mm)
7F.2x/3x Fan
7F.02/03 Grid

3 GRID OPENING - FILTER REPLACEMENT

Filter mat 07F.25.

Filter mat class

EU3 according to DIN 24185, filtering degree (80...90)%.

Filter material

Synthetic fibre with progressive construction, temperature resistant to 100°C, self extinguishing, Class F1 (DIN 53438).

4 MOUNTING (example)

The installation with the only clips is optimized for 1.5 mm thick sheets; it is also possible with thicknesses from 1 to 2.5 mm.

Fixing with screws (supplied) is recommended.

Tightening torque 0.3 Nm.

NOTE

For indoor use

7F.2x.x.xxx.2055	Fan	Grey Color	RAL 7035
7F.2x.x.xxx.2055.0	Fan	Black Color	RAL 9004
7F.02.0.000.2000	Grid	Grey Color	RAL 7035
7F.02.0.000.2000.0	Grid	Black Color	RAL 9004

For outdoor use

7F.3x.x.xxx.2055	Fan	Grey Color	RAL 7000
7F.03.0.000.2000	Grid	Grey Color	RAL 7000