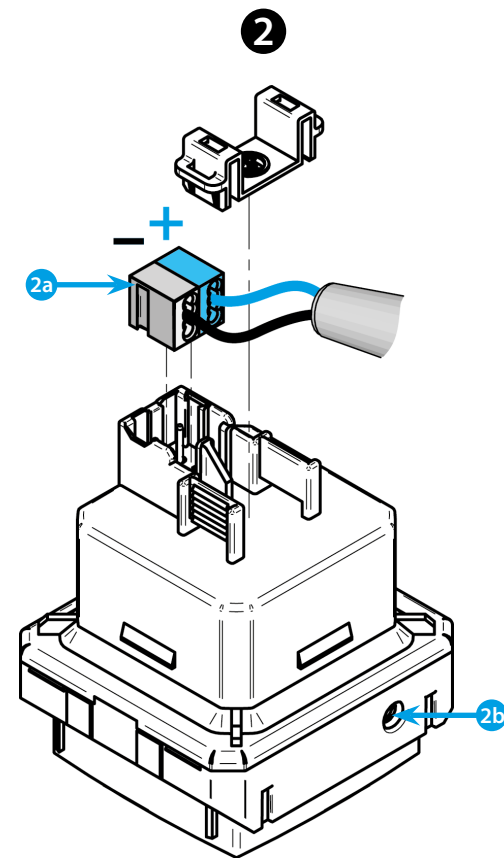
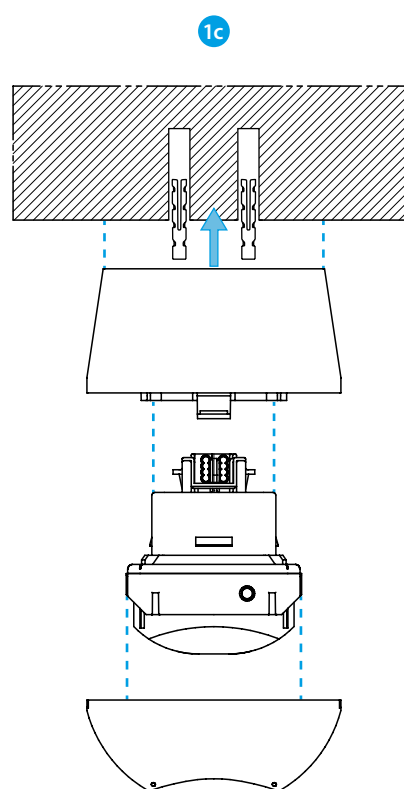
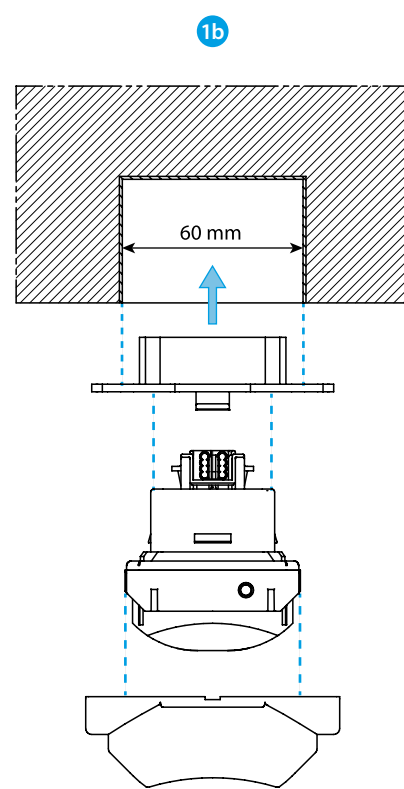
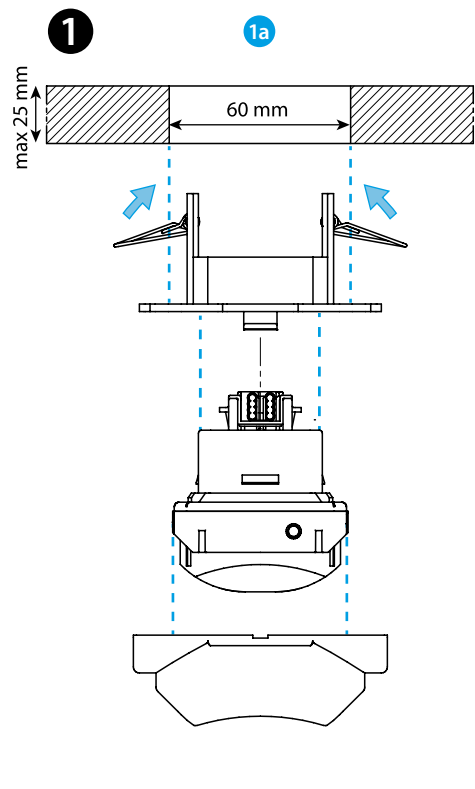




**18.5K PRO**

18.5K.9.030.0001	
<b>IN</b>	BUS KNX 29 V DC (21...32 V DC) SELV
	(-5...+45)°C
IP40	



**ENGLISH**

18.5K.9.030.0001  
PIR MOVEMENT AND PRESENCE DETECTOR KNX BUS  
Dynamic light regulation  
Logic gates  
Up to 5 outputs

- 1 INSTALLATION**  
1a Suspended ceiling mounting  
1b Recess mounting  
1c Surface mounting

- 2 WIRING DIAGRAM**  
2a KNX BUS supply  
2b KNX programming button

- 3 SENSING AREA**  
Two detection zones (at 3 m height):  
3a Presence (micro-movements): (4x4)m  
3b Movement: (8x8)m

**NOTE**  
- The product shall not be used for safety functions  
- Environmental class according to EN 50491-2: Weather protected in uncontrolled conditions, temperature -25...+55 °C  
- Verify the correct address of the device and the setting parameters via ETS software  
- EN 60669-1 / EN 60669-2-1 / EN 50491  
- IP40