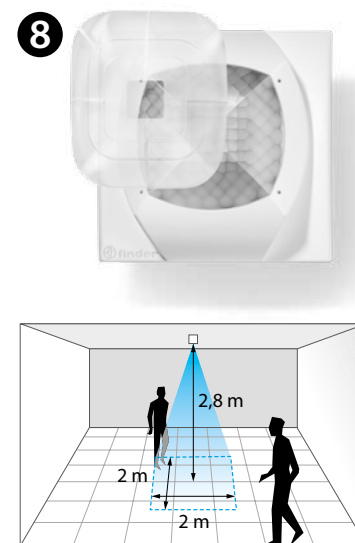
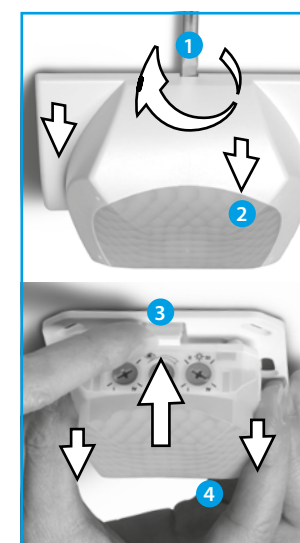
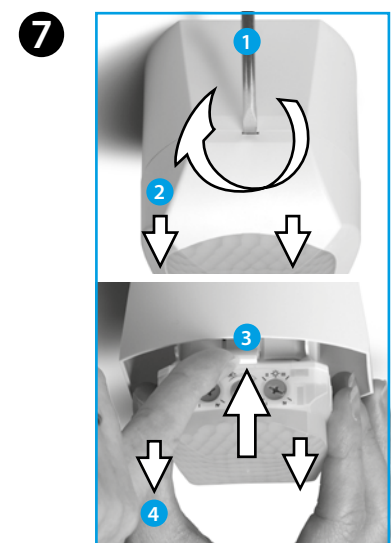
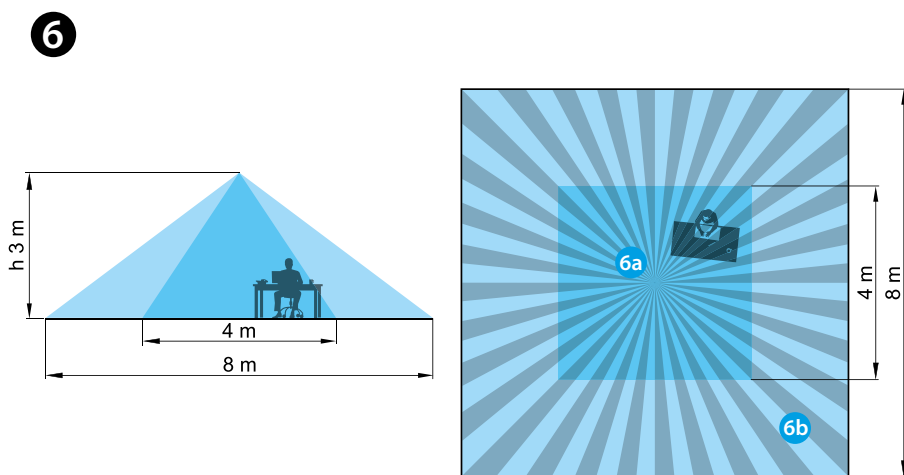
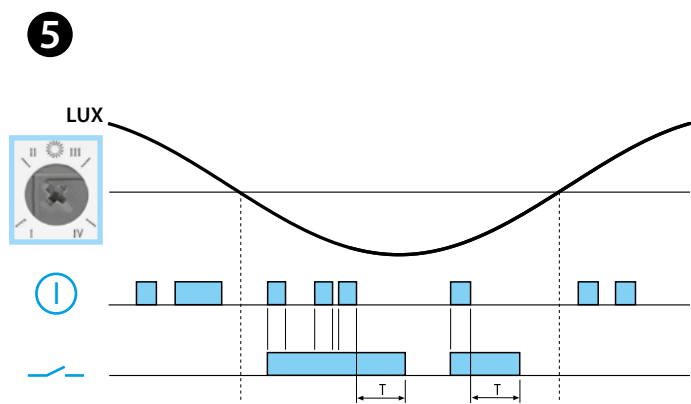
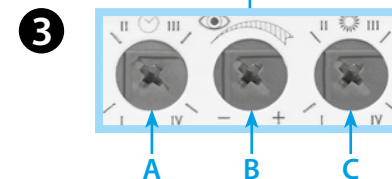
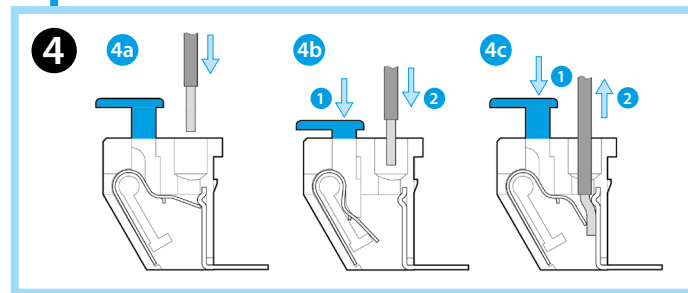
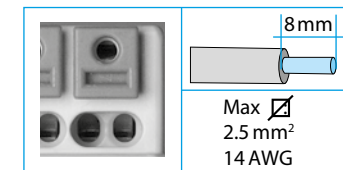
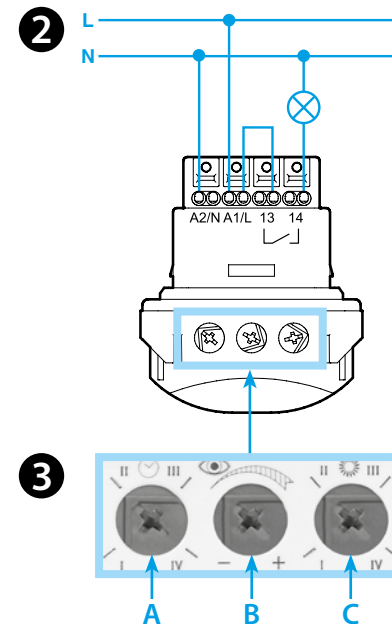
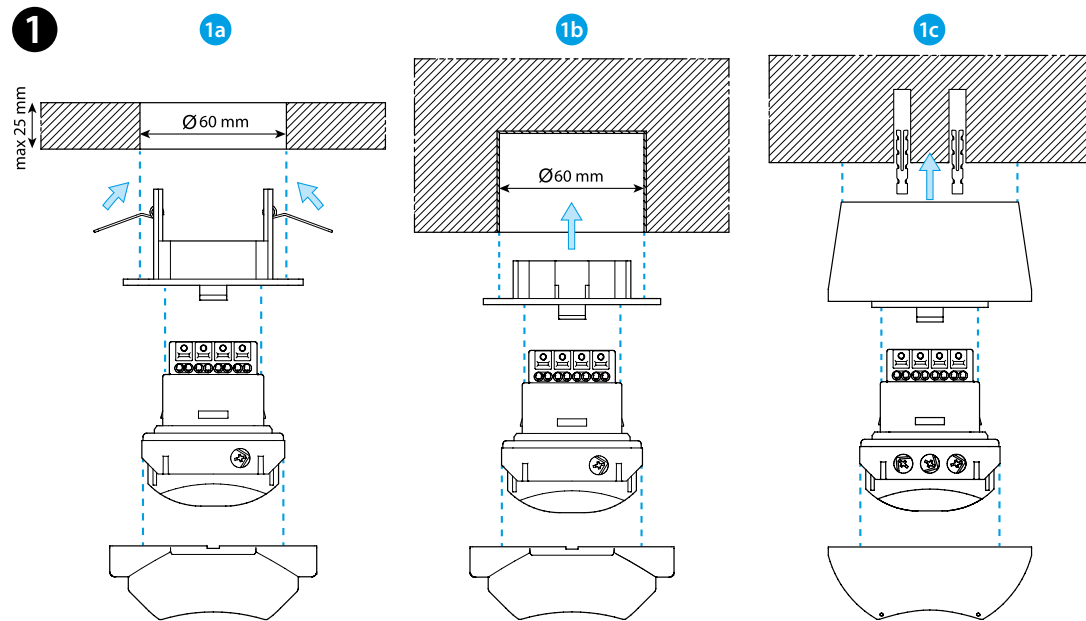




18.51

EN 60669-1 / EN 60669-2-1	
	18.51.8.230.0300 U _N (110...230)V AC (50/60 Hz) U _{min} 96 V AC U _{max} 253 V AC P 1.5 VA (50 Hz) / 1 W
	1 NO (SPST-NO) 10 A 250 V AC
	AC1 2500 VA
	AC15 450 VA
	(230 V) 1000 W
	(230 V) 350 W
	CFL-LED (230 V) 150 W
	(-10...+50)°C
IP40	



ENGLISH

18.51 PIR MOVEMENT AND PRESENCE DETECTOR

- 1 INSTALLATION**
 - 1a Suspended ceiling mounting
 - 1b Recess mounting
 - 1c Surface mounting
- 2 WIRING DIAGRAM**
- 3 SETTINGS**
 - A Turn-off delay setting (I = 12 s - II = 3 min - III = 15 min - IV = 35 min)
 - B Sensitivity setting: Adjust sensitivity to suit the location and avoid false triggering
 - C Ambient light intervention threshold setting (I = 1 lx - II = 10 lx - III = 500 lx - IV = always ON (∞ lx))
- 4 TERMINAL PUSH-IN CONNECTION**
 - 4a Connection-solid cable or with ferrules
 - 4b Connection-stranded cable
 - 4c Disconnection
- 5 FUNCTION CHART**
 - ⌚ Detection of movement
 - ⚡ Output Contact
- 6 SENSING AREA**
 - 2 sensing area (h = 3 m):
 - 6a Presence (micromovements): (4x4)m
 - 6b Movement: (8x8)m
 - Sensing area 360°
- 7 DISMOUNTING**
- 8 ACCESSORIES**