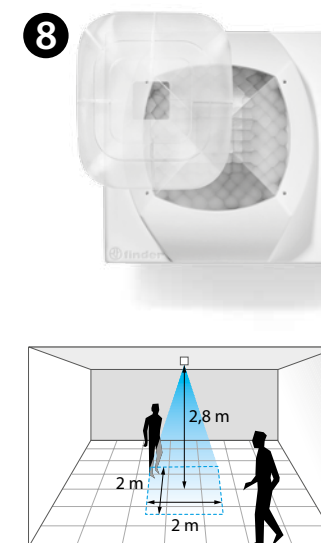
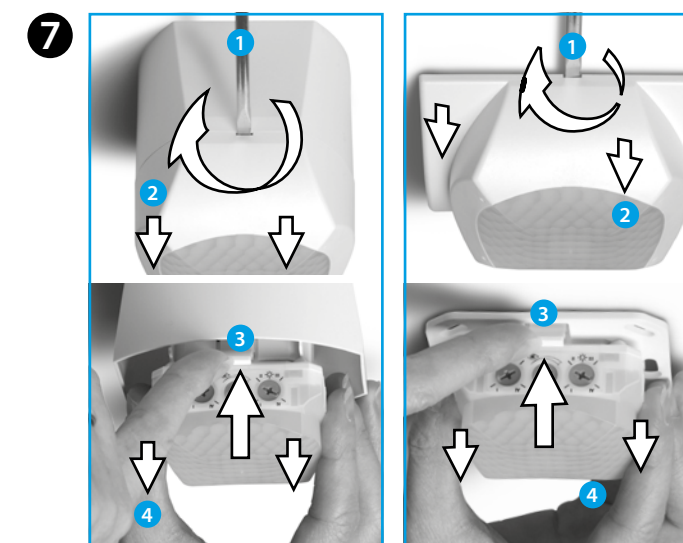
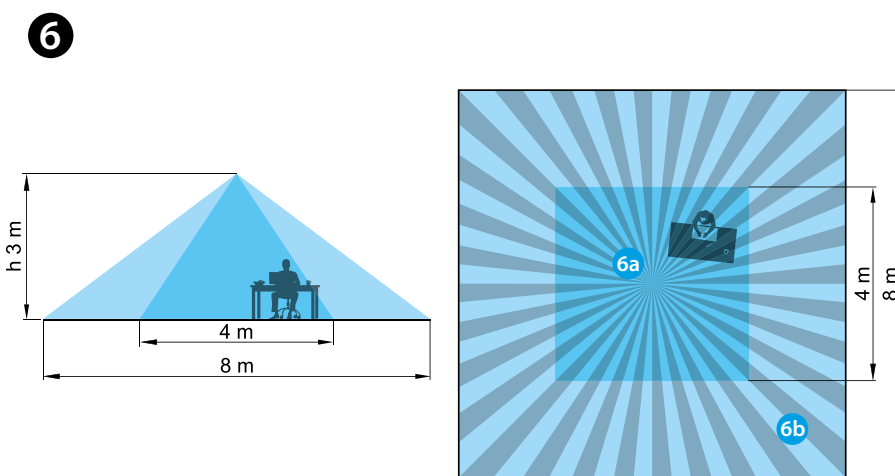
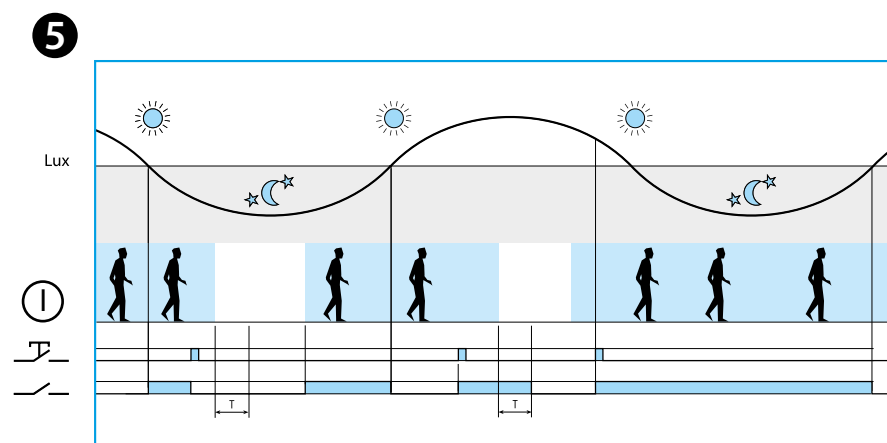
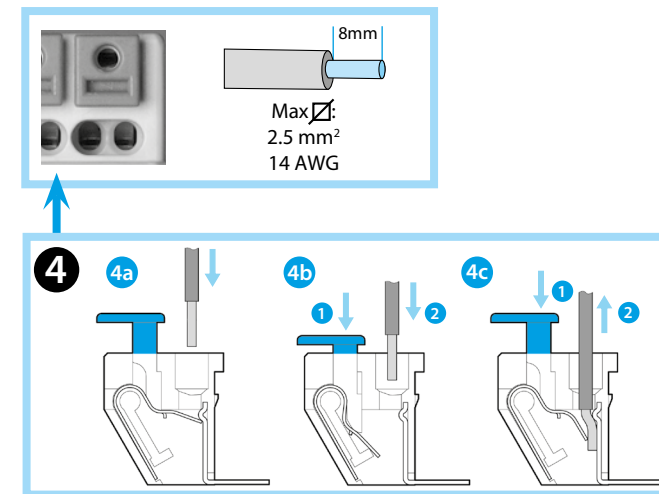
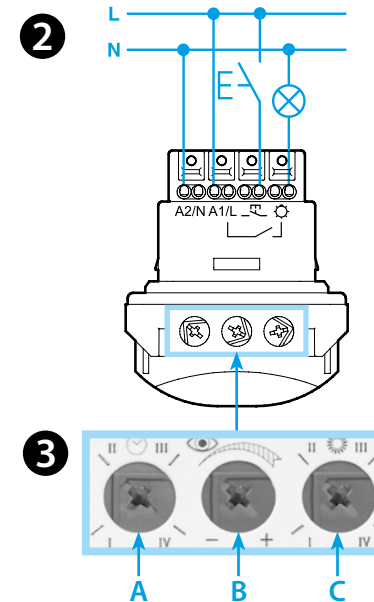
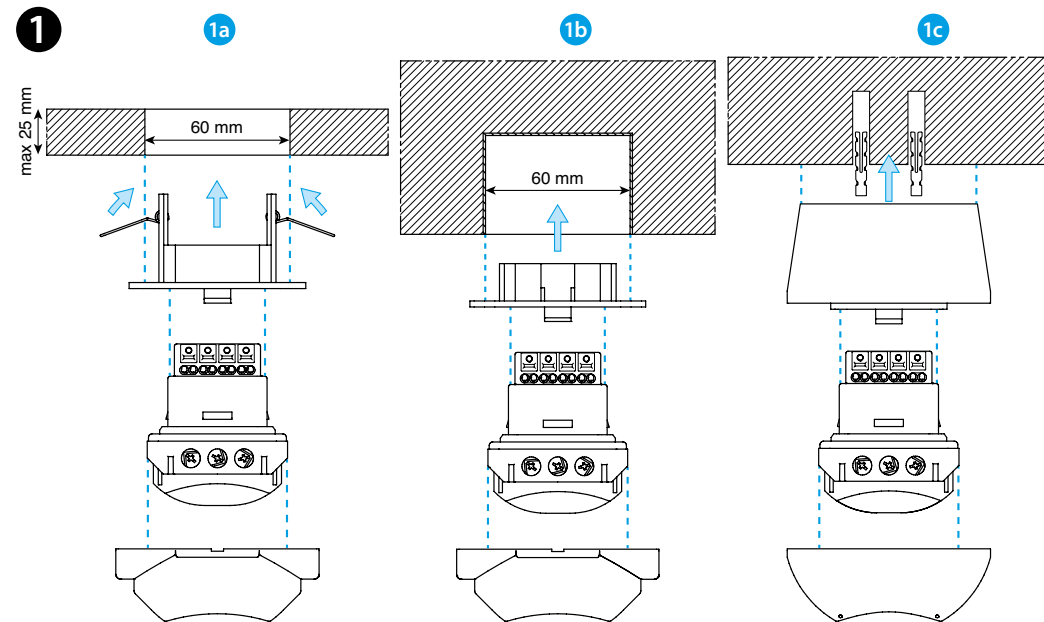




18.51-0040

EN 60669-1 / EN 60669-2-1	
	18.51.8.230.0040 U _N (110...230)V AC (50/60 Hz) U _{min} 96 V AC U _{max} 253 V AC P 1.5 VA (50 Hz) / 1 W
	1 NO (SPST-NO) 10 A 230 V AC
	AC1 2300 VA AC15 450 VA (230 V) 1000 W (230 V) 350 W CFL-LED (230 V) 150 W
	(-10...+50)°C
IP40	



ENGLISH

18.51-0040
PIR MOVEMENT AND PRESENCE DETECTOR

- 1 INSTALLATION**
 - 1a Suspended ceiling mount
 - 1b Recess mount
 - 1c Surface mount
 - 2 WIRING DIAGRAM**
 - 3 SETTINGS**
 - A Light On time after last detection (I=12s; II=3 min; III=15 min; IV=35 min)
 - B Sensitivity: adjust sensitivity to suit the location and avoid false triggering
 - C Ambient light intervention threshold (I=1 lx; II=10 lx; III=500 lx; IV= always ON (∞ lx))
 - 4 TERMINAL PUSH-IN CONNECTION**
 - 4a Connection - solid cable or with ferrules
 - 4b Connection - stranded cable
 - 4c Disconnection
 - 5 FUNCTION CHART**
 - Detection of movement
 - Output Contact

A control pulse on the push-button inverts the status of the output relay, until the timing after the last movement detected has elapsed.
 - 6 SENSING AREA**
 - 2 sensing areas ($h = 3\text{ m}$):
 - 6a Presence (micromovements): (4x4) m
 - 6b Movement: (8x8) m
 - 7 DISMOUNTING**
 - 8 ACCESSORIES**
- NOTE**
Following the initial power-on, and power-on following a power interruption, the detector makes a hardware-software initialisation for approximately 30 seconds.