

18.21-18.31 PIR DETECTOR FOR INTERNAL INSTALLATIONS

1 INSTALLATION SEQUENCE

2 CONNECTION DIAGRAM

2a-2b Internal connections

3 SETTINGS

A ambient light intervention threshold (5...350)lx

B output on-pulse time (10s...12min)

NOTE

By adjusting the selector A to the maximum value the PIR will control the contact independent of the ambient light level

4 FUNCTION CHART

4a Detection of movement

Output Contact

5 SIDE VIEW

(Sensing area - Ceiling mounting)

5a Multiple installation

6 DISASSEMBLY

7 ACCESSORIES

NOTE

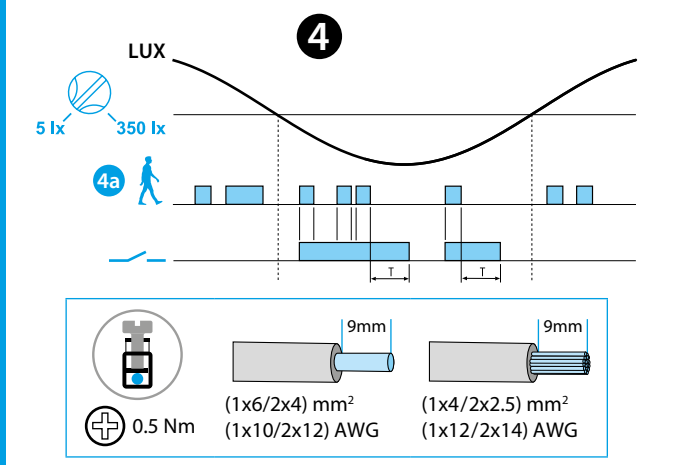
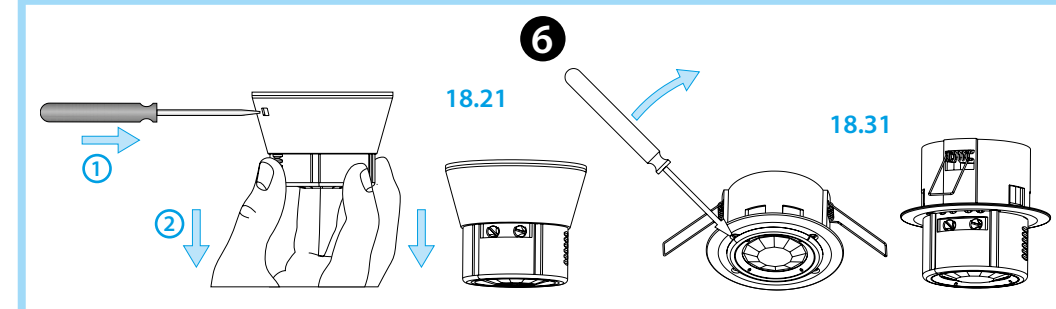
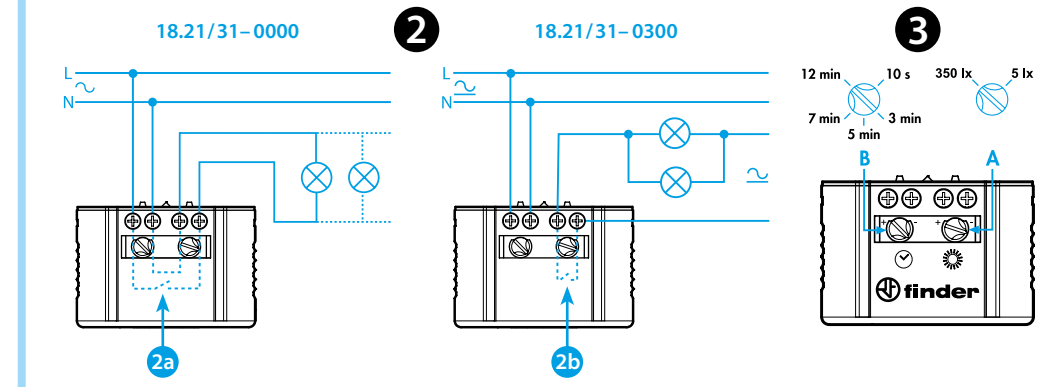
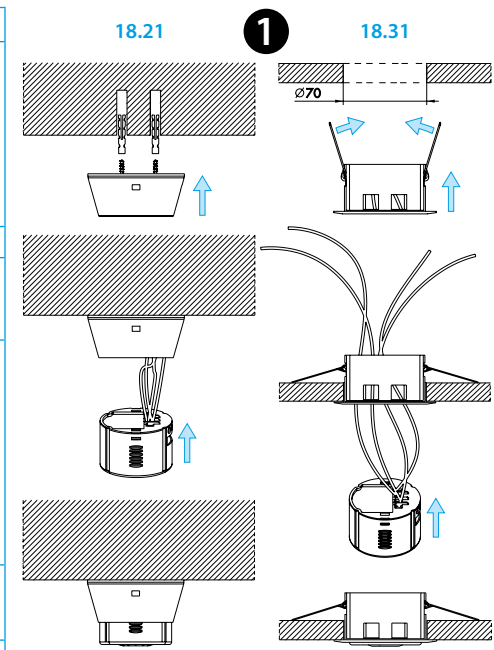
- Following the initial power-on, and power-on following a power interruption, the detector makes a hardware-software initialisation for approximately 30 seconds

- The versions with supply 24 V AC/DC are not suitable for the connection to a SELV circuit



18.21 18.31

EN 60669 - 1 / EN 60669 - 2 - 1			
18.x1.8.230.0000 U _N (120...230)V AC (50/60 Hz) U _{min} - U _{max} 96 V AC - 253 V AC	18.x1.8.230.0300 U _N (120...230)V AC (50/60 Hz) U _{min} - U _{max} 96 V AC - 253 V AC		18.x1.0.024.0300 U _N 24 V AC (50/60 Hz) / DC U _{min} - U _{max} (19.2 V - 26.4 V) AC/DC
	P 2 V A (50 Hz) / 1 W		
1 NO (SPST-NO) 10 A 120 V AC 10 A 230 V AC	1 NO (SPST-NO) 10 A 250 V AC		
	AC1 (230 V) 2300 VA AC15 (230 V) 450 VA	AC1 (230 V) 2500 VA AC15 (230 V) 450 VA	
(120 V AC) 500 W (230 V AC) 1000 W	(230 V) 1000 W		
(120 V AC) 200 W (230 V AC) 350 W	(230 V) 350 W		
CFL-LED (230 V) 150 W	CFL-LED (230 V) 150 W		
(-10...+50)°C			
IP40			



Utility Model - IB1821001 - 02/25 - Finder S.p.A. con unico socio - 10040 ALMESE (TO) - ITALY

