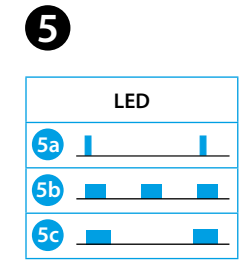
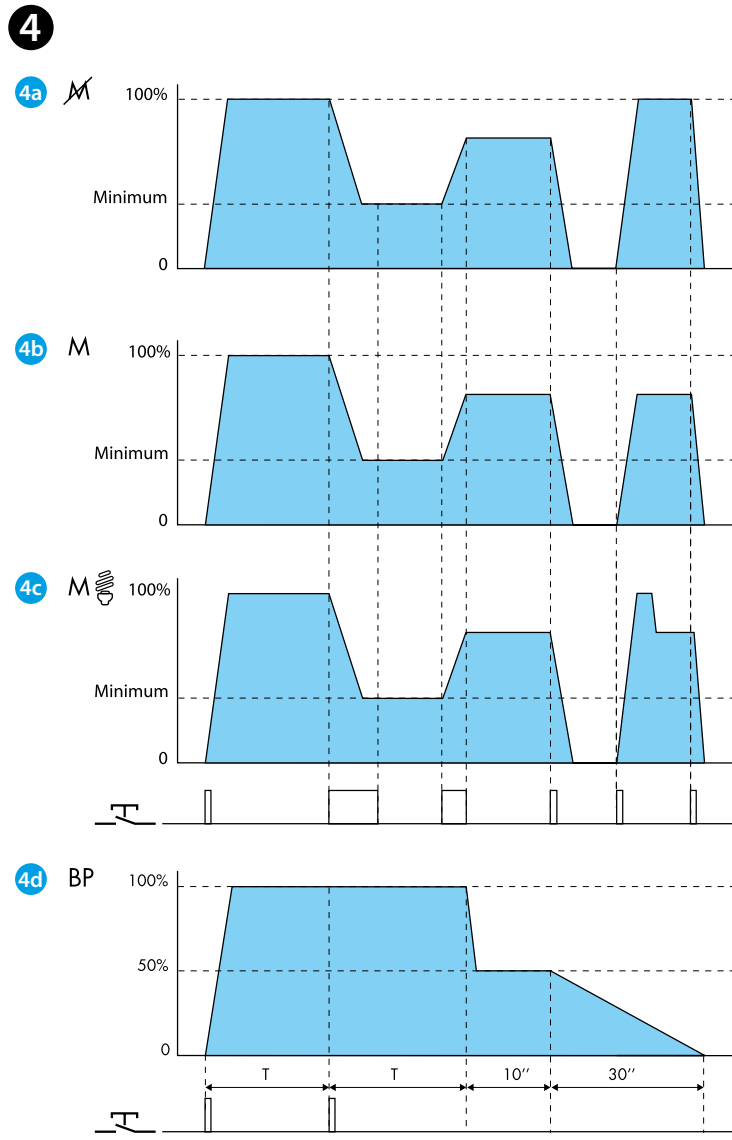
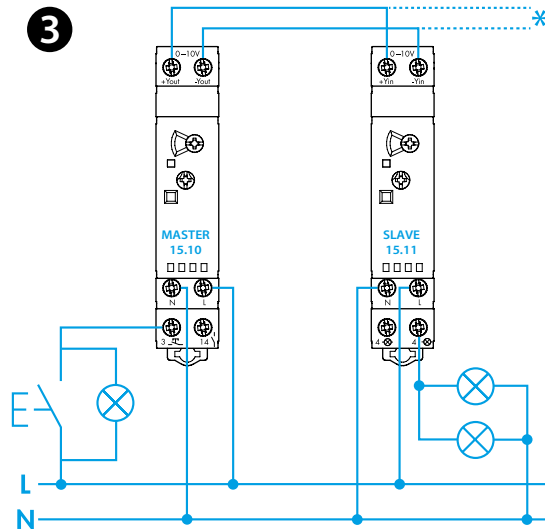
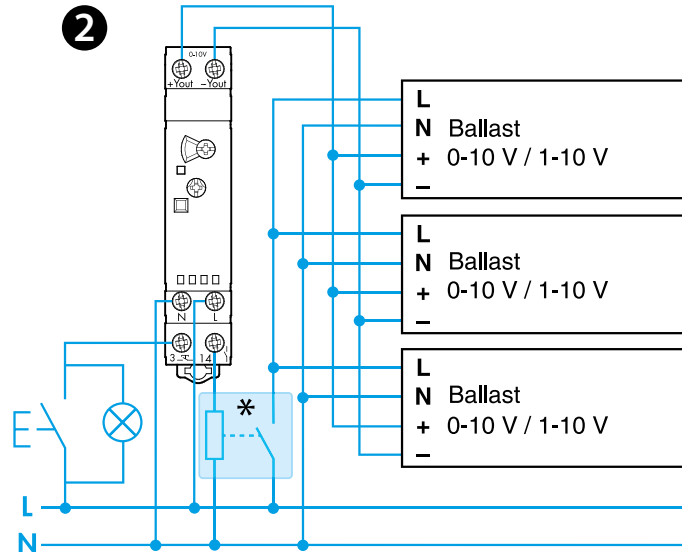
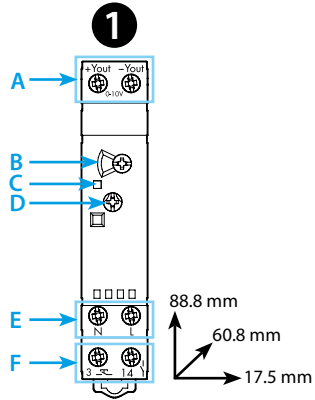




15.10

	15.10.8.230.0010 U _N (110...230)V AC (50/60 Hz) U _{min} 88 V AC U _{max} 253 V AC P 0.5 W
OUT	0-10 V (+Y _{out} / -Y _{out}) (35 mA)
	1 NO (SPST-NO) 6 A 230 V AC (2*)
	(-10...+50)°C
	15 (≤ 1 mA)
IP20	



15.11.8.230.0400
U_N 230 V AC (50 / 60 Hz)
IN 0-10 V (+Y_{in} / -Y_{in})
OUT 400 W
CFL - LED 100 W

ENGLISH

15.10 MASTER DIMMER

- FRONT VIEW**
 - A Output 0 - 10 V (+Y_{out} / -Y_{out})
 - B Function selector (4a - 4b - 4c - 4d)
 - C LED **5**
 - D Selector:
 - dimming speed: from 1.5 to 10 s
 - timing (T): from 30s to 20min (BP function only 4d)
 - E Power supply U_N
 - F Command (3) - output contact (14)
- WIRING DIAGRAM**

15.10 Master Dimmer used with 0 - 10 V or 1 - 10 V electronic transformers or ballasts

Note: Maximum 15 illuminated push buttons linked into the line

*Check that the maximum Peak Current of the Ballast does not exceed the 30 A 230 V AC rating of terminal 14.

Use a contactor or power relay to switch loads exceeding this value
- CONFIGURATION (example)**

*Up to max 32 Slave Dimmer 15.11 connected **6**
- FUNCTIONS**
 - 4a (**M**) Dimming mode without Memory
 - 4b (**M**) Dimming mode with Memory
 - 4c (**M**) Dimming mode with Memory for CFLs Lamps
 - 4d **BP** Staircase function with 50% early warning preceding dimming to 0%
- LED**
 - 5a Standby (+Y_{out} / -Y_{out}) <1V
 - 5b Live (+Y_{out} / -Y_{out}) ≥1V
 - 5c Staircase function
- ACCESSORIES**

15.11.8.230.0400 Slave Dimmer

NOTES

- The output 0-10V (+Y_{out} / -Y_{out}) is isolated, overload and short circuit protected
- Output contact provides Live-out at terminal 14, only when Y_{out} ≥1V (used with 0 - 10 V / 1 - 10 V ballasts)