



13.S2

	13.S2.8.230.B000 U _N 110...230 V AC (50/60 Hz) U _{min} 96 V AC U _{max} 253 V AC P 2 VA (50 Hz)/0.5 W		
Ch1	2 NO (DPST-NO)		
Ch2	6 A 230 V AC		
	AC1	110 V	230 V
	AC15	650 VA	1380 VA
		150 VA	300 VA
	(-10...+50)°C		
	5 (≤1 mA)		
IP20			

Ch1	
Ch2	

0.5 Nm

9mm

(1x2.5/2x1.5) mm²
(1x14/2x16) AWG

9mm

(1x2.5/2x1) mm²
(1x14/2x16) AWG

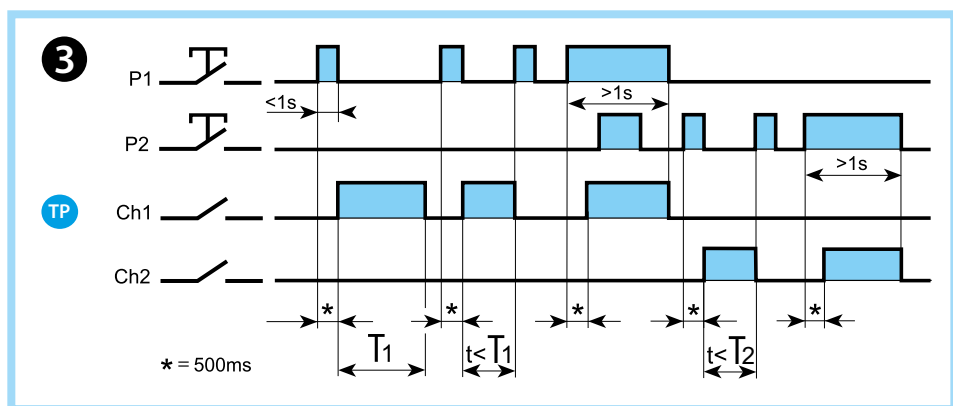
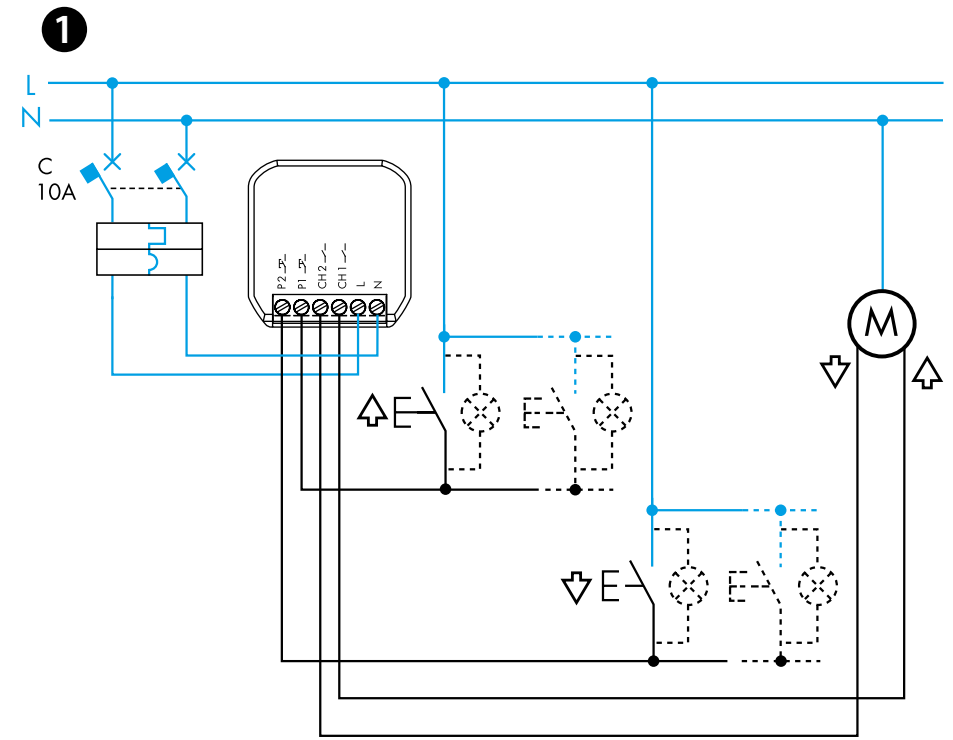
2

Finder YOU

Download on the App Store

GET IT ON Google Play

Bluetooth™



ENGLISH

13.S2.8.230.B000 ROLLER BLIND ACTUATOR

- 1 WIRING DIAGRAM**
- Channel 1: Ch1 - push button 1 (P1)
- Channel 2: Ch2 - push button 2 (P2)
- 2 FINDER YOU APPLICATION**
- With the Finder YOU App you can:
- Set the timings on channels Ch1 - Ch2
 - Associate the wireless button
 - Set scenarios (Where a scenario calls for the simultaneous operation of several shutters the "R" setting staggers their operation to avoid excessive disturbance on the supply system)
- NOTE**
- Transmission range: approximately 10 m in free space and without obstacles
 - The transmission range may vary depending on the building structure
- Example:
- Reinforced concrete walls and/or metal walls
 - Partition walls filled with insulating wool on a metallic backing
 - Ceilings with metal or carbon fiber panels
 - Lead glass or glass with metal cladding, steel furniture

- 3 FUNCTIONS**
- NOTE**
- OPENING PERCENTAGE STATUS**
- To get the opening percentage status, it is necessary to update the 13.S2 to the 16th version or later.
- To work properly, the times T1 (ascent) and T2 (descent) must be set precisely and then perform a complete roll-up or roll-down to begin displaying the opening percentage status.
- NOTA**
- Electronic switches must be protected upstream by a circuit breaker with a maximum rated current of 10 A. Other types of protection can be used. These must have equivalent characteristics and comply with national regulations.