



13.22

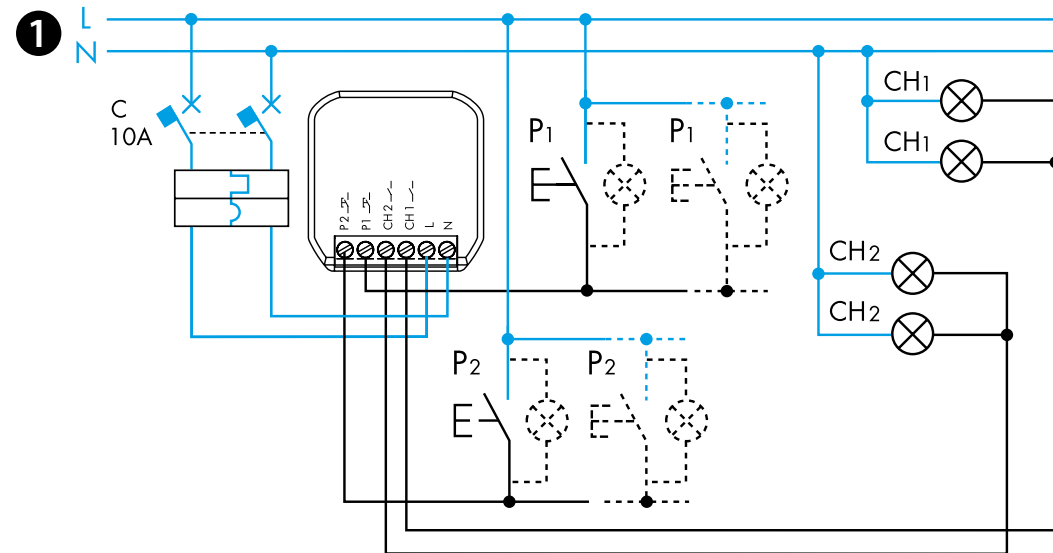
	13.22.8.230.B000 U _N 110...230 V AC (50/60 Hz) U _{min} 96 V AC U _{max} 253 V AC P 2 VA (50 Hz)/0.5 W		
Ch1 Ch2	2 NO (DPST-NO) 6 A 230 V AC		
	AC1	110 V	230 V
	AC15	650 VA 150 VA	1380 VA 300 VA
	(-10...+50)°C		
	5 (≤1 mA)		
IP20			

EN 60669-1/EN 60669-2-1			
Ch1		200 W	
Ch2		2 A	
	CFLi-LEDi	60 W	
	General purpose	5 A	

2

Download on the App Store
GET IT ON Google Play

Utility Model - IB1322VXX - 06/24
Finder S.p.A. con unico socio - 10040 ALMESE (TO) - ITALY



4

02				
03				
04				
05				
06				
07				
08				

3

RI		DE	
RM		FZ	
BE		IP	
BP		IT	
LE			
ME			
MP			

5

Smartphone
Wireless pushbutton
Voice assistant

ENGLISH

13.22.8.230.B000 MULTI-FUNCTION RELAY

- 1 WIRING DIAGRAM**
Channel 1: Ch1 - pushbutton 1 (P1)
Channel 2: Ch2 - pushbutton 2 (P2)
 - 2 FINDER YOU APPLICATION**
With the Finder YOU App you can:
- Set the functions, the Sequences and the timing (T1, T2) on the Ch1 - Ch2 channels
- Associate the wireless pushbutton
- Set the scenarios
 - 3 FUNCTIONS for single channel**
The Ch1 and Ch2 channels are independent and can be set with different functions. Timings (T1, T2): from 1s to 24h.
RI: factory pre-set function on both channels
 - 4 FUNCTIONS using both channels**
Switching sequences 02 to 08 work on both Ch1 and Ch2.
NOTE
P1 (SET): leads to the next state
P2 (RESET): leads to the initial state
 - 5 FUNCTION R1a**
R1a: Step relay (switch control)
A traditional lighting system with switch, diverter and inverter, can be remotely controlled with the Finder YESLY App, using wireless pushbuttons, or via a voice assistant.
- NOTA**
Electronic switches must be protected upstream by a circuit breaker with a maximum rated current of 10 A.
Other types of protection can be used.
These must have equivalent characteristics and comply with national regulations.