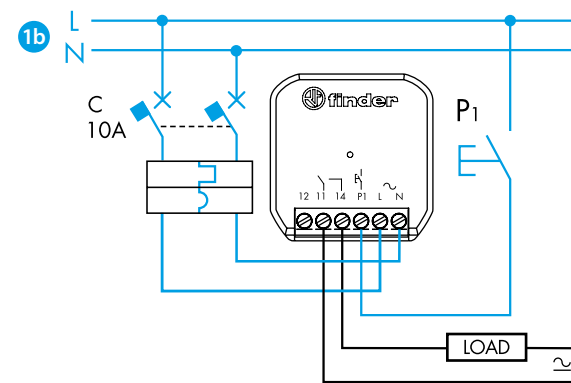
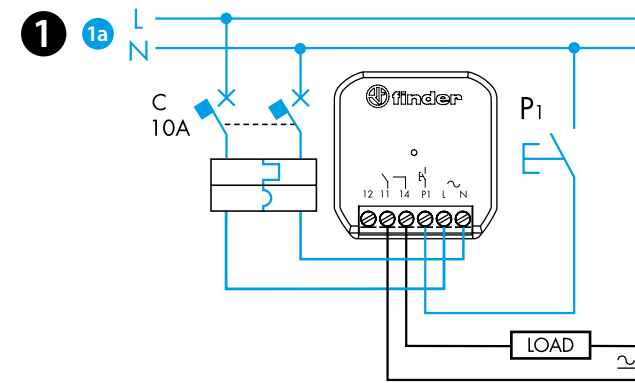




13.21 B

	13.21.8.230.B000 U_N 110...230 V AC (50/60 Hz) U_{min} 96 V AC U_{max} 253 V AC P 2.8 VA (50 Hz)/0.8 W	
	1 CO (SPDT) 16 A 250 V AC	
	(-10...+50)°C	
IP20		

EN 60669-1/EN 60669-2-1		
	1000 W	
	4 A	
CFLi-LEDi	300 W	
General purpose	6 A	

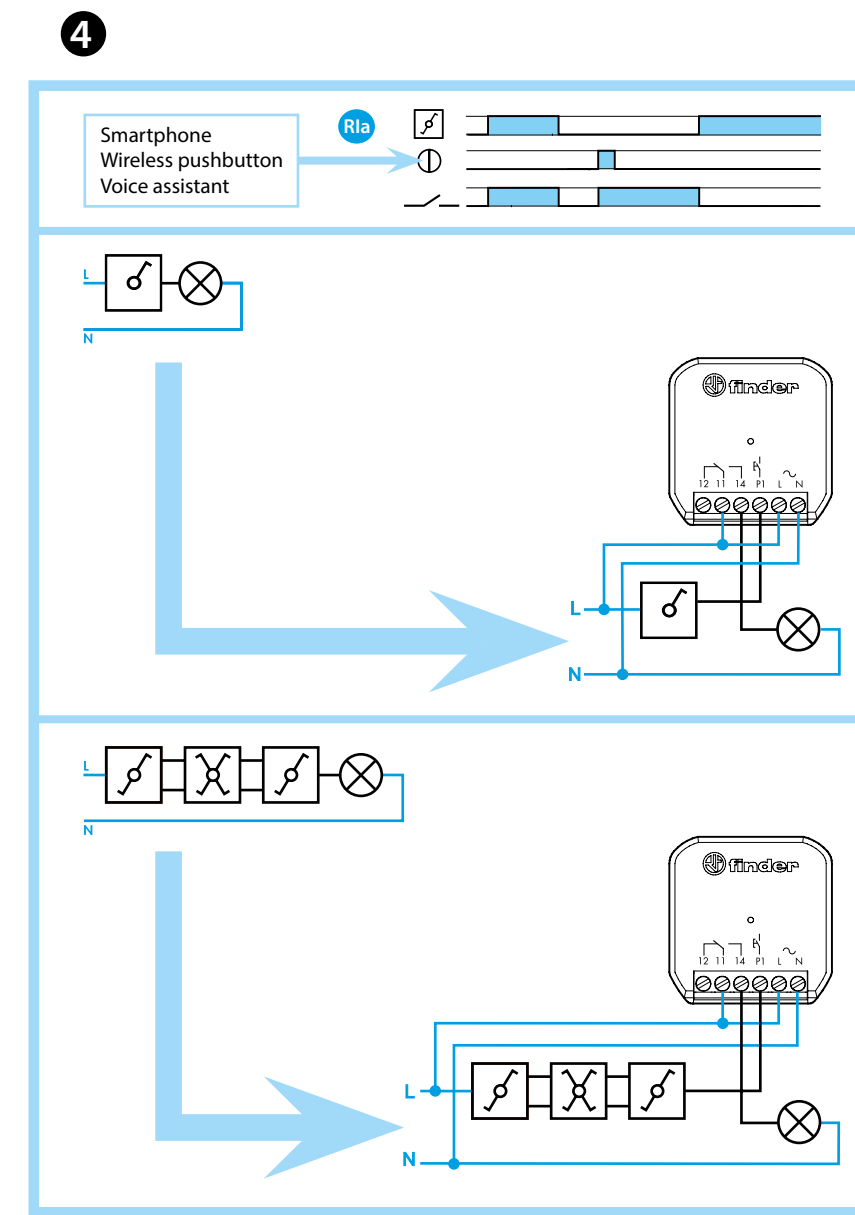
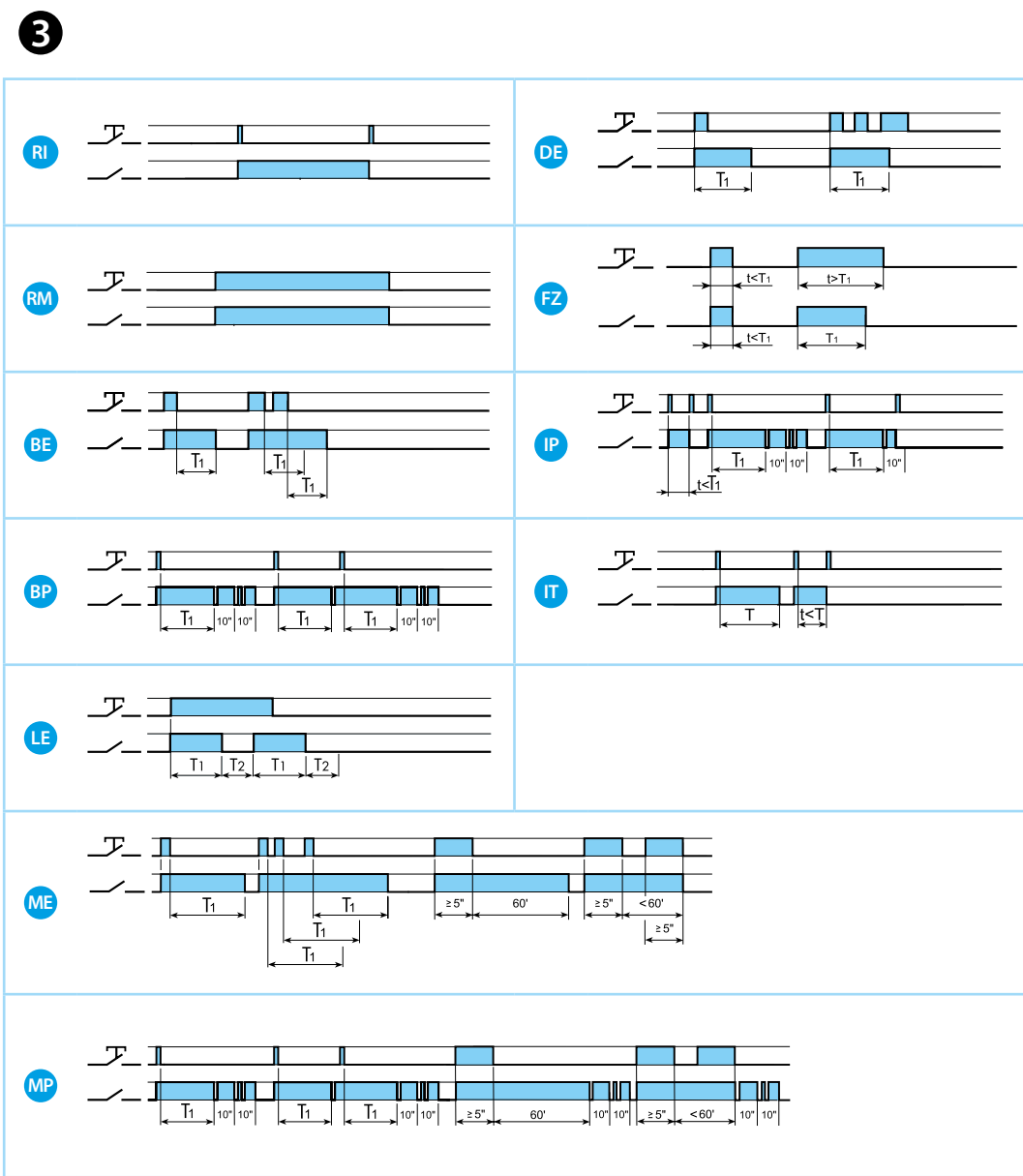


2

YOU
Finder YOU

Download on the App Store | GET IT ON Google Play

Bluetooth



ENGLISH

13.21.8.230.B000 MULTI-FUNCTION RELAY

- 1 WIRING DIAGRAM**
1a 3 wires (P1 button to neutral)
1b 4 wires (P1 button to phase)
NOTA
 The 12 terminal refers to the NC contact of the relay

- 2 FINDER YOU APPLICATION**
 With the Finder YOU App you can:
 - Set the functions, the Sequences and the timing from 1 s to 24 h
 - Associate the wireless pushbutton
 - Set the scenarios

- NOTE**
 - Transmission range: approximately 10 m in free space and without obstacles
 - The transmission range may vary depending on the building structure
 Example:
 - Reinforced concrete walls and/or metal walls
 - Partition walls filled with insulating wool on a metallic backing
 - Ceilings with metal or carbon fiber panels
 - Lead glass or glass with metal cladding, steel furniture

- 3 FUNCTIONS**
RI: factory pre-set function
NOTA
 - DE function ($T \geq 2''$) for electric locks

- 4 FUNCTION R1a**
R1a: Step relay (switch control)
 A traditional lighting system with switch, diverter and inverter, can be remotely controlled with the Finder YESLY App, using wireless pushbuttons, or via a voice assistant.

- NOTA**
 Electronic switches must be protected upstream by a circuit breaker with a maximum rated current of 10 A.
 Other types of protection can be used.
 These must have equivalent characteristics and comply with national regulations.