

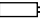

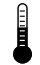
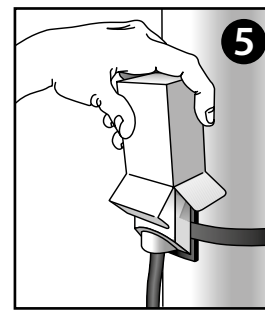
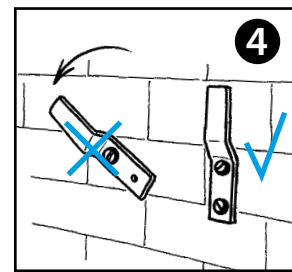
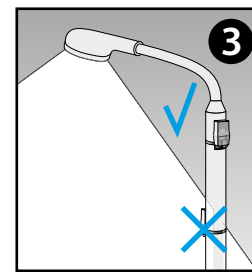
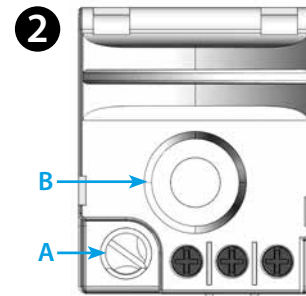
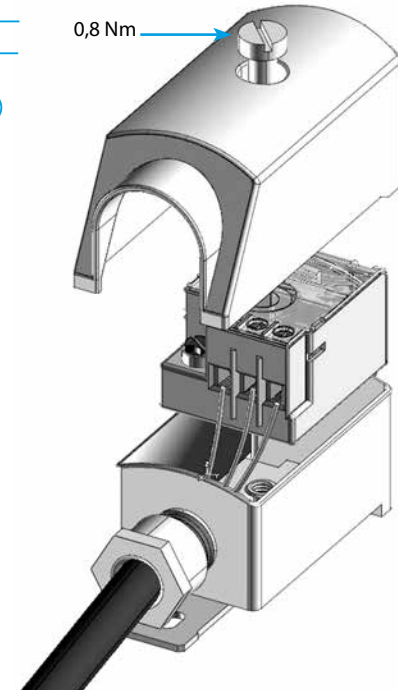
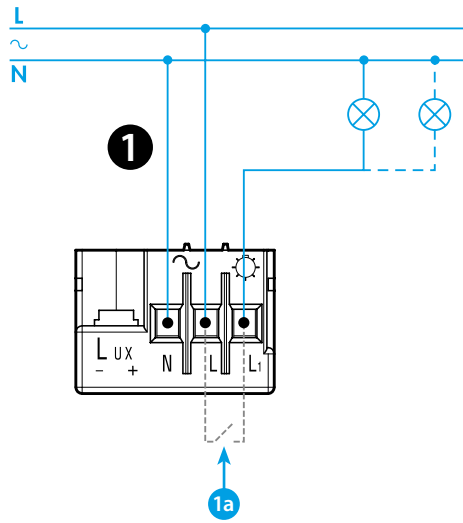
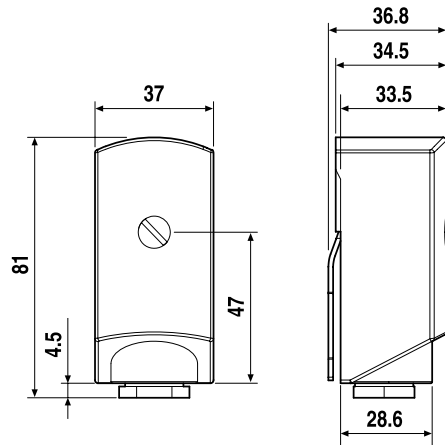




10.51

EN 60669-1 / EN 60669-2-1			
10.51.8.120.0000		10.51.8.230.0000	
U _N 120 V AC (50/60 Hz)		U _N 230 V AC (50/60 Hz)	
U _{min} 96 V AC		U _{min} 184 V AC	
U _{max} 132 V AC		U _{max} 253 V AC	
P 1.5 VA (50 Hz)		P 1.5 VA (50 Hz)	
1 NO (SPST-NO)		1 NO (SPST-NO)	
12 A 120 V AC μ		12 A 230 V AC μ	
AC1	1400 VA	AC1	2760 VA
AC15	300 VA	AC15	600 VA
	-		1200 W
	200 W		400 W
CFL	200 W	CFL	350 W
LED (230 V)	-	LED (230 V)	350 W
IP54			

	(-30...+70)°C
TON = 15 s	
TOFF = 30 s	



ENGLISH

10.51 LIGHT DEPENDENT RELAY

1 WIRING DIAGRAM
 Only the live of the load circuit is interrupted, between terminals L and L1. Make the electrical connections according to the diagram, ensuring that the cable gland is tightened around the cable. Cable type suggested: H07RN-F (3x1 mm²...3x1,5 mm²) or similar. Important Safety Advice: if the lamp has a ground wire terminal, it is necessary to connect it to the protective earth system before activation.

2 SETTINGS
A ambient light threshold (1...80)lx
B LED:
 - off: relay OFF (supply on)
 - fast blinking: supply ON, timing in progress, relay OFF
 - slow blinking: supply ON, relay ON

3 POLE MOUNTING

4 WALL MOUNTING

IMPORTANT FOR INSTALLATION
 It is recommended to install the relay such that the light emitted from the controlled lamp does not influence the sensor. Where this is not possible, the innovative "light feedback compensation" principle will avoid annoying lamp switch-on and switch-off, provided that the sum of ambient light and controlled light does not exceed 120 lux. Ensure that the cable compression gland is tightened to achieve IP54 sealing.

5 TESTING
 Over the first 3 working cycles the On and Off delay times are reduced to zero in order to aid installation. The packaging can be used to darken the photocell in order to test or regulate the relay.