

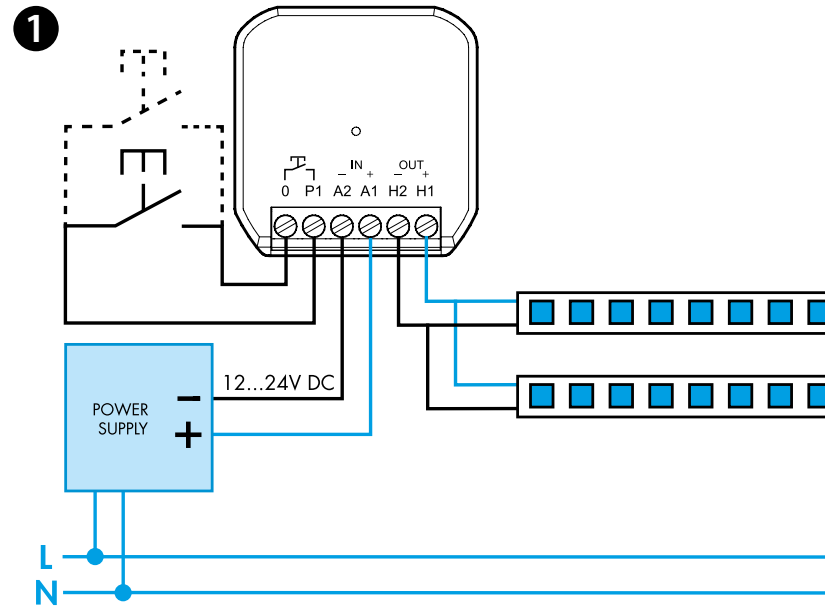
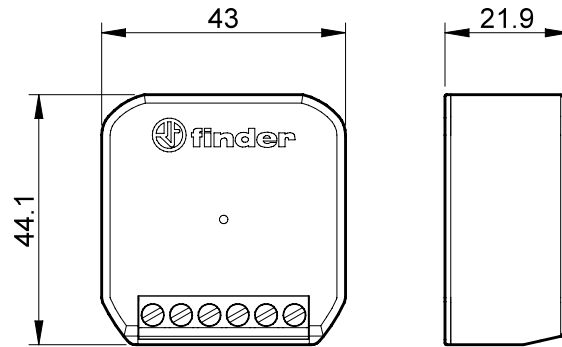
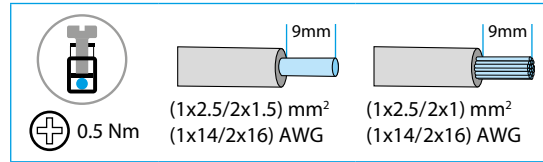




15.21

EN 60669-1 / EN 60669-2-1	
	<b>15.21.9.024.B200</b> $U_N$ 12...24 V DC $U_{min}$ 10.8 V DC $U_{max}$ 26.4 V DC $P$ 96 W @ 12 V DC 192 W @ 24 V DC
<b>Strip LED</b>	12 - 24 V DC
	(-10...+50)°C



15.21.9.024.B200 BLUETOOTH DIMMER FOR LED STRIP

1 WIRING DIAGRAM

2 FINDER YOU - With the Finder YOU App you can:

- Adjust the driving frequency of the lamp (from 250 Hz to 1000 Hz)  
Default value = 250 Hz
- Associate the wireless buttons
- Set the scenario transition time
- Set the Memory function
- Set the Restore after Blackout function
- Adjust the minimum dimming level

NOTE

- Without memory function: each ON command results in the full brightness level being established
- With memory function: at switch OFF the brightness level is memorised and with the subsequent ON command this level is restored
- Short pulse command: switches alternately between ON and OFF status
- Long pulse command: the light level will increase or decrease progressively, either linearly
- Transmission range: approximately 10 m in free space and without obstacles
- The transmission range may vary depending on the building structure  
Example:
  - Reinforced concrete walls and/or metal walls
  - Partition walls filled with insulating wool on a metallic backing
  - Ceilings with metal or carbon fiber panels
  - Lead glass or glass with metal cladding, steel furniture
- Device protected against over-temperature, overload, Short Circuit and Polarity Reversal