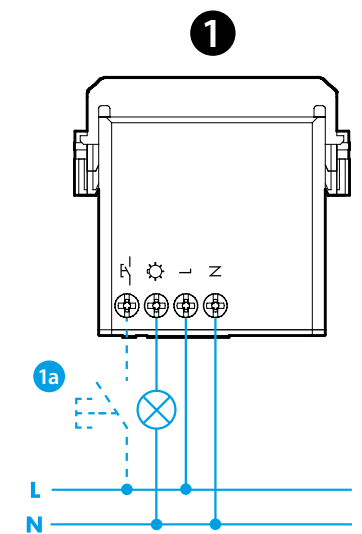


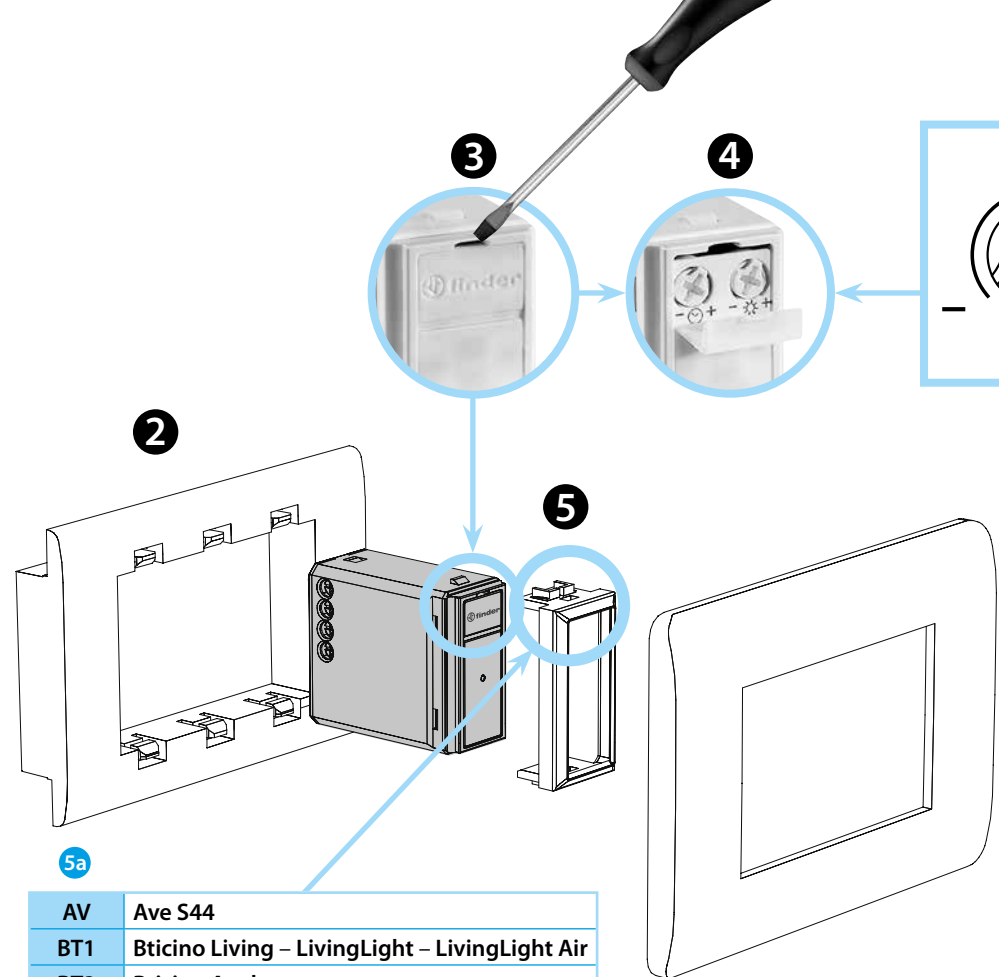


18.91

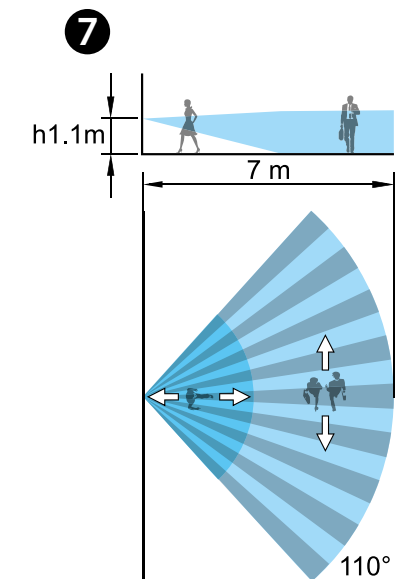
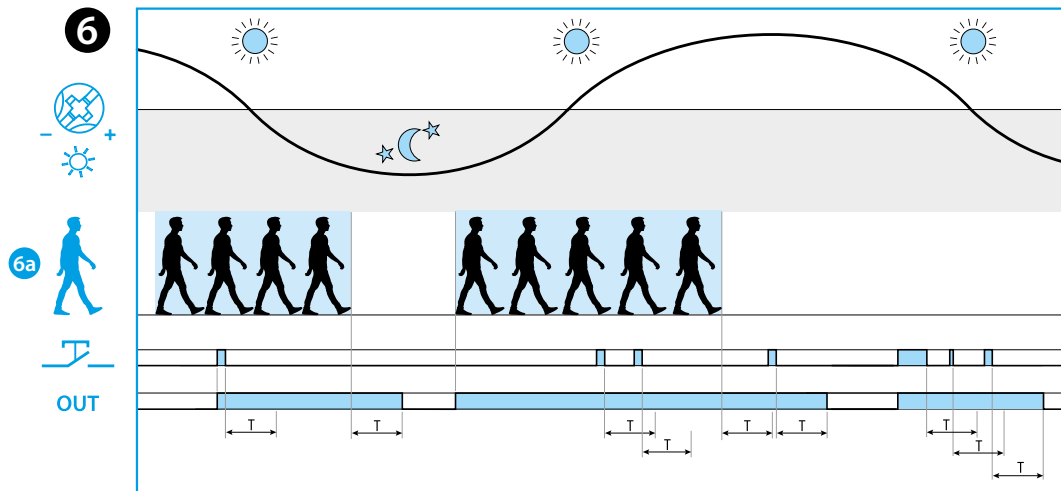
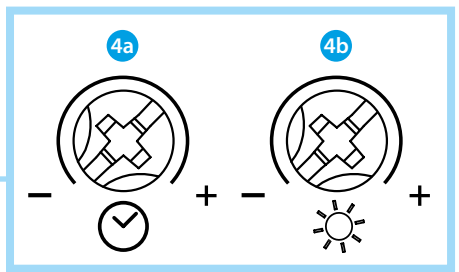
EN 60669-1 / EN 60669-2-1	
	18.91.8.230.004x
	U _N 230 V AC (50/60 Hz)
	U _{min} 184 V AC
	U _{max} 253 V AC
	P 14 VA (50 Hz) / 0.5 W
OUT (TRIAC)	(230 V) 200 W
	(230 V) 200 W
	CFL-LED (230 V) 200 W
	(-10...+50)°C
	IP20



Utility Model - IB1891VXX - 03/21
Finder S.p.A. con unico socio
10040 ALMESE (TO) - ITALY



5a	AV	Ave S44
	BT1	Bticino Living - LivingLight - LivingLight Air
	BT2	Bticino Axolute
	GW	Gewiss Chorus - Bticino Matix
	GW1	Gewiss System
	SU	Simon Urmet Nea
	VM1	Vimar Plana - Eikon-Arké
	VM2	Vimar Idea



ENGLISH

18.91
PIR MOVEMENT DETECTOR-WALL MOUNTING

- 1 WIRING DIAGRAM**
1a Optional push-button connection
- 2 INSTALLATION**
- 3 OPENING COVER**
- 4 SETTINGS**
4a Turn-off delay setting (10 s...20 min)
4b Ambient light intervention threshold setting
(5...500) lx 18.91.8.230.0042
(6...600) lx 18.91.8.230.0040
(Maximum lx = always ON (∞ lx))
- 5 ADAPTOR**
(See table 5a for compatible systems)
Note that these trademarks and trade names are not the property of Finder SpA or any of its associated companies, and are referred to in this sheet for the purposes of technical information only.
- 6 FUNCTION CHART**
6a Detection of movement
OUT Solid State Output (TRIAC)
Detected movement closes, or keeps closed, the output contact
OPTIONAL CONNECTION 1a
Operating the push-button closes, or keeps closed, the output contact - for the set time T
- 7 SENSING AREA**

NOTE
- Power consumption: 0.2 W (stand-by)
0.65 W with output ON
- External push-button to force the output contact ON (closed)
- Type:
18.91.8.230.0040: white
18.91.8.230.0042: anthracite