

15 Series
Dimmer

NEW



Universal electronic dimmer 230 V Type 15.21.8.230.0200 Perfect for LED loads up to 200 W

Simplicity, power and energy-saving.

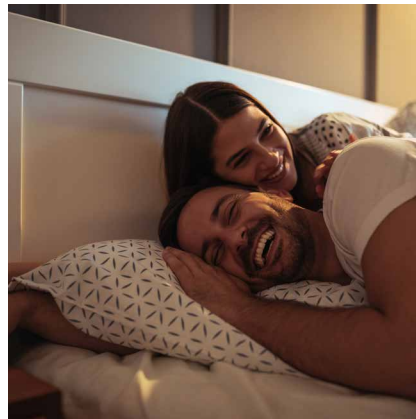
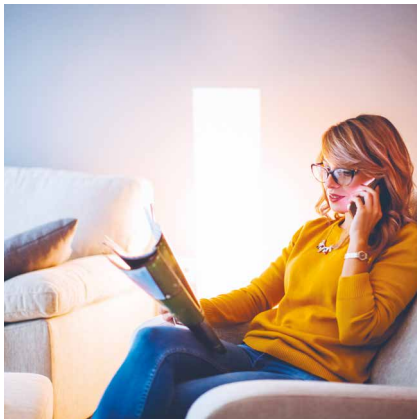
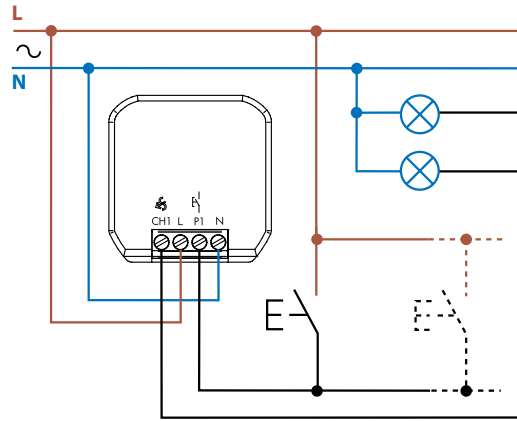
- Round wall box (ie: Ø 60mm) mounting
- Dimming operating mode Trailing edge or Leading edge
- "Soft" switching ON/OFF
- Over-temperature and short-circuit protection





Universal electronic dimmer 230 V
Type 15.21.8.230.0200

Maximum dimmable power 200 W LED.
Ease of installation and no programming required.



Discover all the 15 Series dimmers



15.10
"Master" dimmer
0-10 V/1-10 V output
to drive up to 32 x
15.11 slave dimmers



15.11
"Slave" dimmer
1-10 V input, driven
by 15.10 or by other
0-10 V/1-10 V output
devices
Maximum lamp load
400 W



15.51
Maximum lamp load
400 W
Use with 3 wire
connection
Wall box or panel
mount



15.81
Maximum lamp
load 500 W

YESLY



15.21.8.230.B300
Maximum dimmable
power 300 W
Round wall box
(ie: Ø 60mm)
mounting

YESLY



15.21.9.024.B200
Maximum dimmable
power 192 W LED strip
Three PWM operating
frequencies (selectable)
Round wall box
(ie: Ø 60mm) mounting

YESLY



15.71
Maximum dimmable
power 200 W
Wall mounting,
compatible with
most common Italian
residential switch boxes