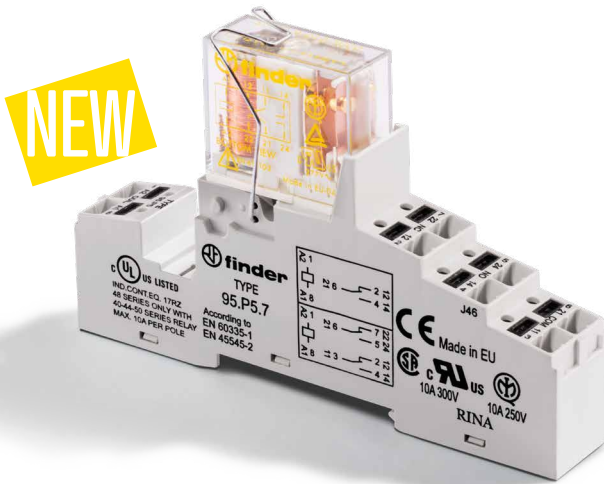


48 Series  
Relay Interface Modules



New Interface Relays with forcibly guided contacts for safety applications  
Type 48.P2.9.xxx.5007SMA

According to: - EN 61810-3 Type B\* (previously EN 50205)  
- EN 13849-1

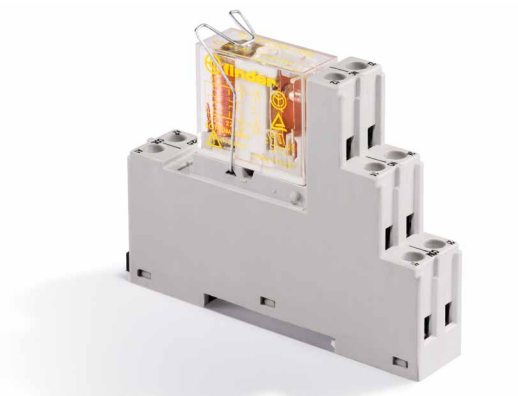
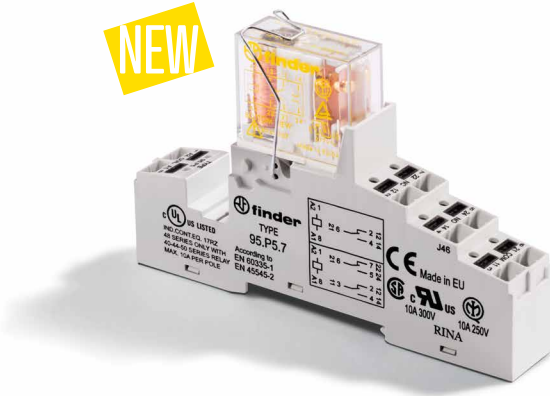
- 2 CO 8 A
- Supply voltage 12 and 24 V DC
- 8 mm, 6 kV (1.2/50  $\mu$ s) isolation, coil-contacts
- Available with AgNi+Au contacts

## Interface Relays with forcibly guided contacts for safety applications

According to: - EN 61810-3 Type B\* (previously EN 50205)  
- EN 13849-1

Type 48.P2.9.xxx.5007SMA

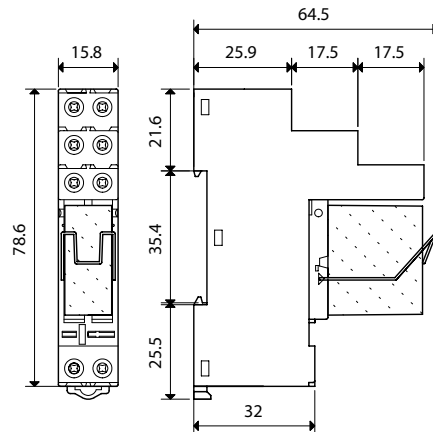
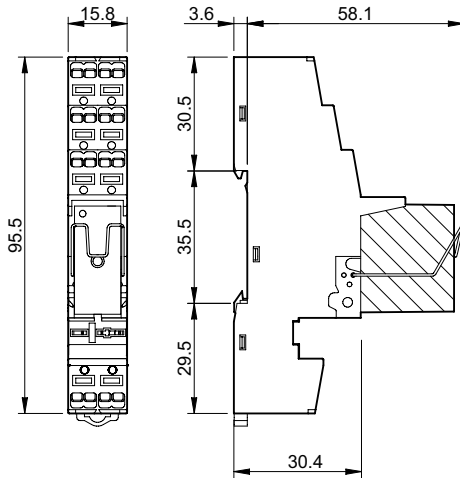
Type 48.12.9.xxx.5007SMA



Push-in terminal



Screw terminal



\* Class B: only 1 NO and 1 NC shall be used as forcibly guided contacts

### Applications

- Elevator industry
- Signalling
- For safety applications according to the Machinery Directive
- For electrical isolation
- Chemical and petrochemical plants

### Benefits

- Forcibly guided contacts ensure reliability
- Versatile products adaptable to different applications
- These are products that will help you meet your equipment's compliance with its relevant Directives
- Faster wiring with Push-in terminals