

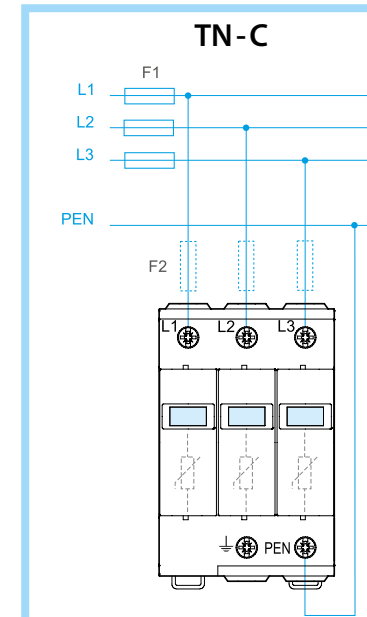


7P.2x SPD Class II

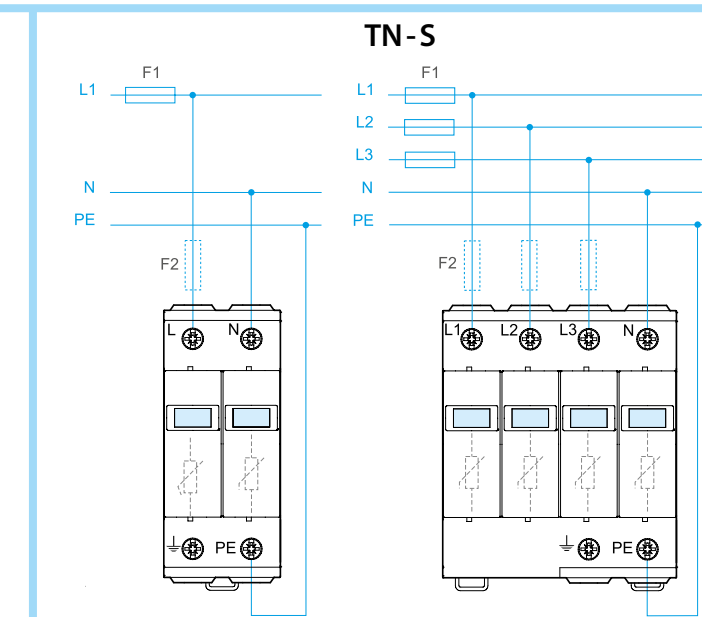
Type	I _{PE} (μA)	U _c V AC (L-N)	U _c V AC (N-PE) or (L-PEN)	U ₀ V AC	Number of port	Dimensions L x W x H (mm)	Approvals	TOV L-N		TOV L-PE	TOV N-PE	System
								5s	120 min	200 ms	200 ms	
7P.21.8.275.x020	< 200	275	-	230/400 ± 10%	One Port SPD	87.6 x 17.8 x 65.9	VDE	335 V	440 V	-	-	-
7P.22.8.275.x020	< 4	275	255			87.6 x 35.8 x 65.9	VDE	335 V	440 V	1455	1200	TT, TN-S
7P.23.8.275.x020	< 600	275	275			87.6 x 53.8 x 65.9	VDE	335 V	440 V	-	-	TN-C
7P.24.8.275.x020	< 4	275	255			87.6 x 71.8 x 65.9	VDE	335 V	440 V	1455	1200	TT, TN-S
7P.25.8.275.x020	< 800	275	275			87.6 x 71.8 x 65.9	VDE	335 V	440 V	-	-	TN-S
7P.27.8.275.x020	< 400	275	275			87.6 x 35.8 x 65.9	VDE	335 V	440 V	-	-	TN-S

Minimum distance from earthed conductive surface: d = 0

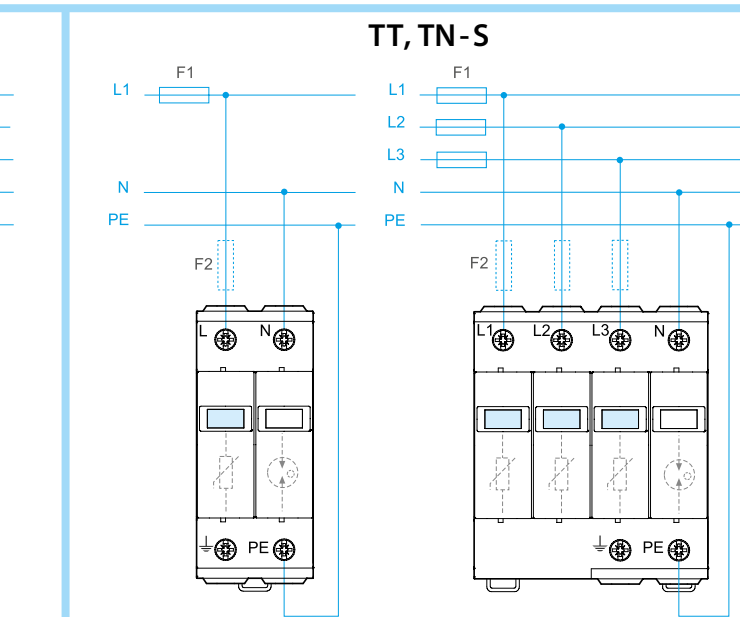
I _n (8/20)	20 kA
I _{max} (8/20)	40 kA
I _{fi} (N-PE)	100 A
I _{SCCR}	50 kArms
	5%...95%
	-40...+80°C
	max 160A gL/gG



7P.23.8.275.x020
3 x 7P.21.8.275.x020

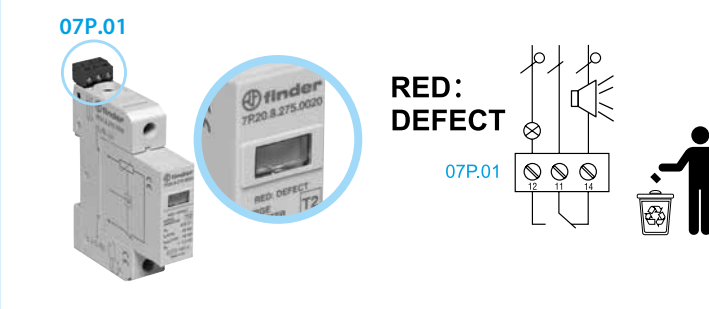
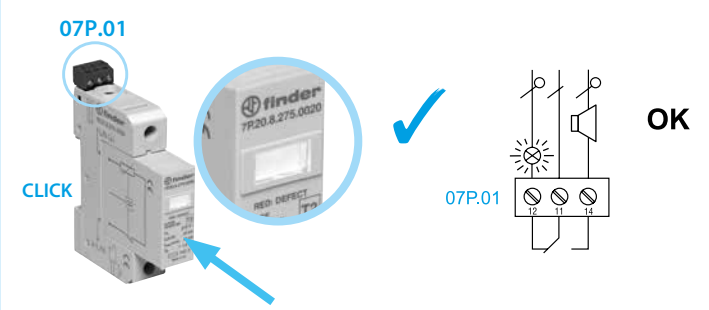
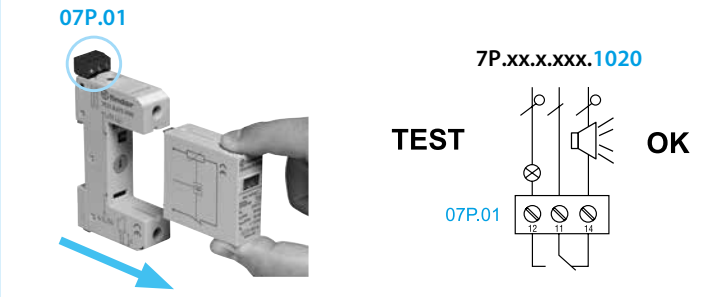
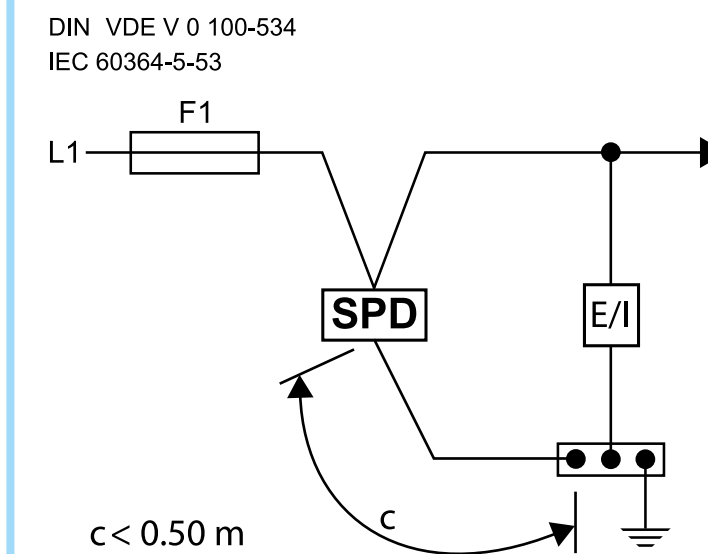
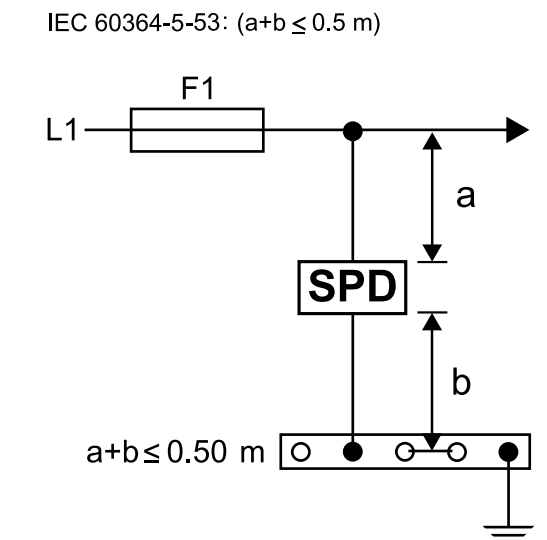
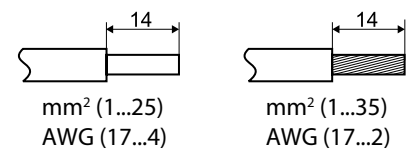
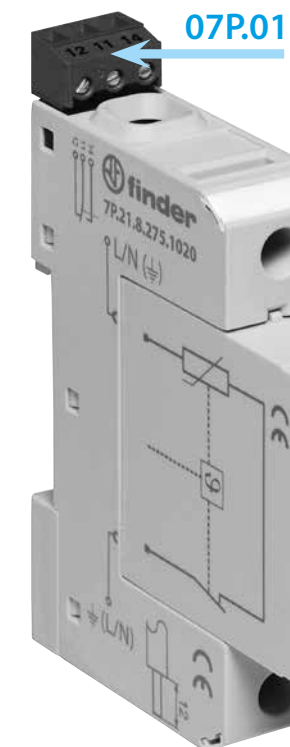


7P.27.8.275.x020
2 x 7P.21.8.275.x020

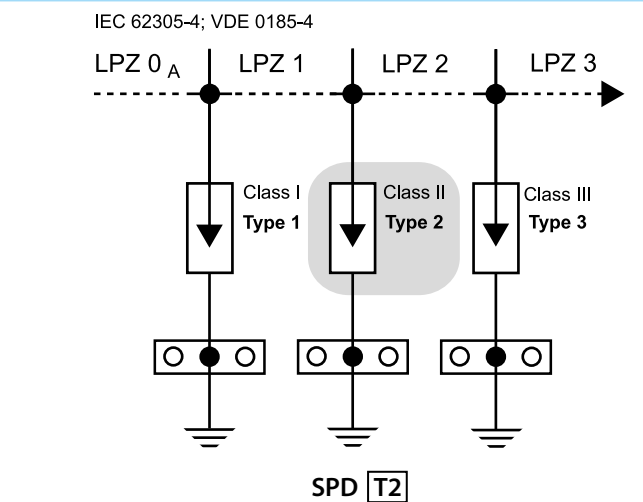
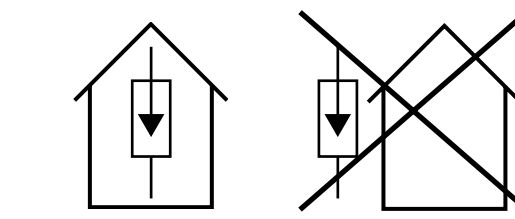
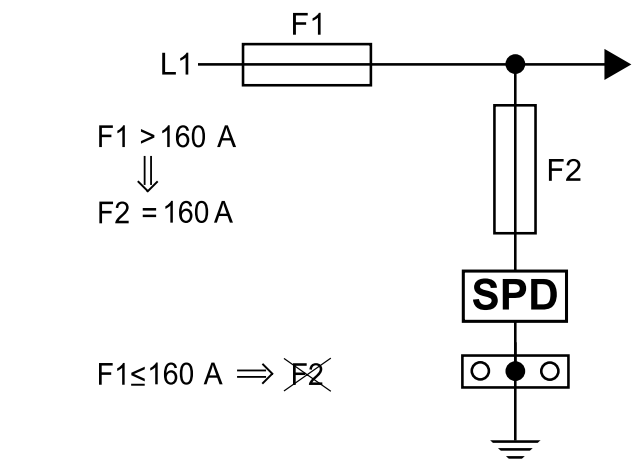


7P.22.8.275.x020

7P.24.8.275.x020



	1CO (SPDT)
	0.5 A (AC) 250 V AC
	0.1 A (DC) 250 V DC
Max	1.5 mm² / 30 AWG



ENGLISH

Finder SPD 7P Series units must be installed only by qualified personnel in accordance with the National standards and the safety regulations (IEC 60364-5-53, VDE 0100-534).

Before installing the unit, verify that it is not damaged and, to avoid the risk of internal condensation, ensure that it has not been stored at low temperature. Opening or modifying the device will void the warranty.

It is important to respect the recommended size of the backup fuse and ensure that the system rated voltage is less than U_c.

Before starting any insulation measurement of the electrical system, it is necessary to extract every replaceable modules out of the base - in order to perform a correct measurement. After measurement, reinsert all the modules into their bases.