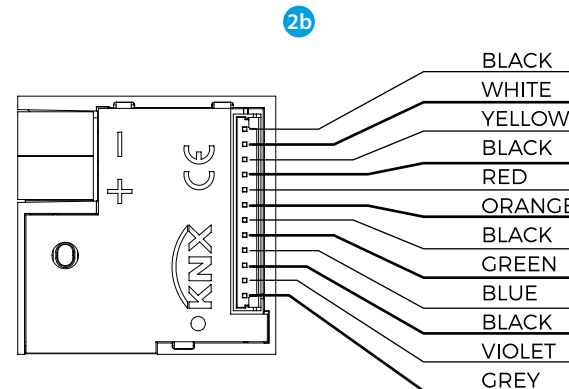
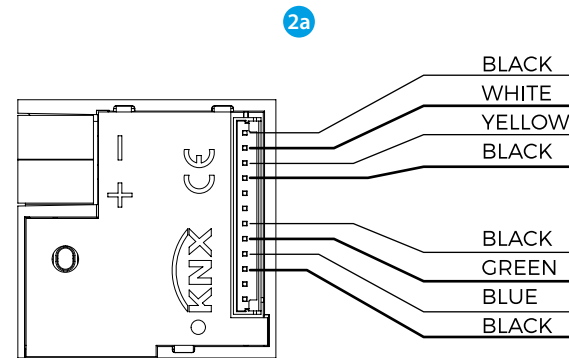
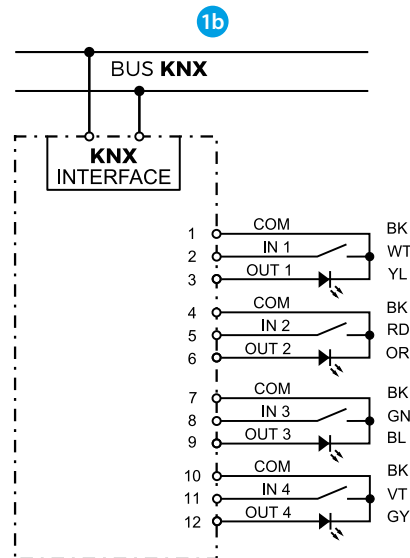
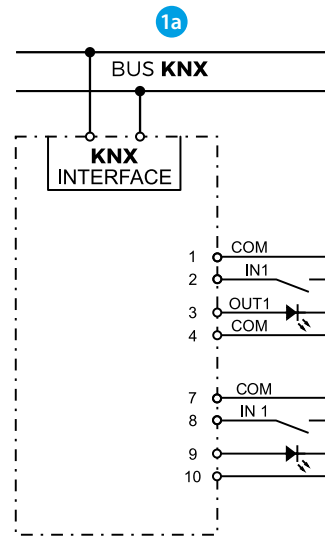



**1K.02**

**1K.04**


# ENGLISH

1K.02.9030 - Inwall 2 In / 2 Led Out module KNX  
 1K.04.9030 - Inwall 4 In / 4 Led Out module KNX

## Product and Applications description

Device 1K.02.9030 includes 2 digital inputs for dry contacts and 2 outputs for LEDs. Device 1K.04.9030 includes 4 digital inputs for dry contacts and 4 outputs for LEDs. These devices (only 34 x 34 x 11 mm) can also be used in installations where the inwall space available is reduced. The digital inputs can interface sensors, traditional buttons, etc. The low voltage output channels can drive LEDs for synoptic panels or switches.

For each input channel the following functions are available:

- Sending telegrams of closing/opening contact
- Sending telegrams of short/long press
- Dimming control
- Blinds/venetians control
- Scene control
- 3 commands sequences with short/long press
- 3 command sequences with toggling
- Step by step on/off combinations over 2 or 3 objects
- Pulse counter on rising and/or falling edge
- Enable / disable object for each input

There are also 8 blocks of logic functions freely by ETS  
 Device is equipped with KNX communication interface.

## ETS Application Program

- Maximum number of group addresses: **53**  
 This is the maximum number of different group addresses the device is able to store
- Maximum number of associations: **60**  
 This is the maximum number of associations between communication objects and group addresses the device is able to memorize

**Caution:** there is a limit to the number of associations that can be created, on the same device, between transmission communications objects (i.e. output feedback) and receiving communication objects (i.e. outputs). If you want, on the same device, add a group address linked to a transmission communication object (feedback) to a receiving communication object (output) which already has a different group address associated, please note that you can add a maximum of 8 group addresses of this kind for the whole device.

## Technical Specifications

<b>Power Supply</b>	Via bus EIB/KNX 21...31V DC Current consumption <5 mA
<b>Control Elements</b>	EIB/KNX red LED and button
<b>Connections</b>	12 cable connector AWG24 EIB/KNX terminal
<b>Inputs</b>	2 (1K.02.9030) - 4 (1K.04.9030) Maximum cable length ≤10m (twisted cable) Reading voltage 3,3V
<b>Outputs</b>	2 (1K.02.9030) - 4 (1K.04.9030) Current/voltage for leds 0,5mA/3,3V
<b>Mechanical data</b>	Plastic enclosure PC/ABS
<b>Ambient temperature during operation</b>	-5°C + 45°C
<b>Degree of protection</b>	IP20
According to EN 50491-2	

**1a** Wiring diagram 1K.02.9030

**1b** Wiring diagram 1K.04.9030


**2a** Wired cable for 1K.02.9030

1.	BLACK	COM
2.	WHITE	INPUT 1
3.	YELLOW	OUTPUT 1
4.	BLACK	COM
5.	NOT CONNECTED	
6.	NOT CONNECTED	
7.	BLACK	COM
8.	GREEN	INPUT 3
9.	BLUE	OUTPUT 3
10.	BLACK	COM
11.	NOT CONNECTED	
12.	NOT CONNECTED	

**2b** Wired cable for 1K.04.9030

1.	BLACK	COM
2.	WHITE	INPUT 1
3.	YELLOW	OUTPUT 1
4.	BLACK	COM
5.	RED	INPUT 2
6.	ORANGE	OUTPUT 2
7.	BLACK	COM
8.	GREEN	INPUT 3
9.	BLUE	OUTPUT 3
10.	BLACK	COM
11.	VIOLET	INPUT 4
12.	GRAY	OUTPUT 4

For further information please visit: [findernet.com](http://findernet.com)

 **DISPOSAL**  
 The crossed-out bin symbol on the equipment or packaging means the product must not be included with other general waste at the end of its working life. The user must take the worn product to a sorted waste centre, or return it to the retailer when purchasing a new one. An efficient sorted waste collection for the environmentally friendly disposal of the used device, or its subsequent recycling, helps avoid the potential negative effects on the environment and people's health, and encourages the re-use and/or recycling of the construction materials.