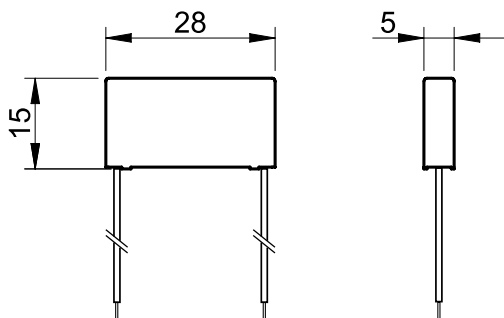


15 Series
Dimmer



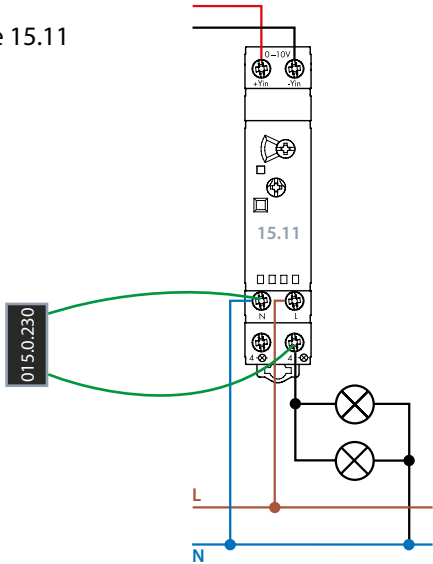
Accessory
Type 015.0.230
Leakage current suppression module
for 15 Series Dimmers

Type 015.0.230 leakage current suppression module for use in cases where leakage current prevents an LED lamp from completely turning Off.

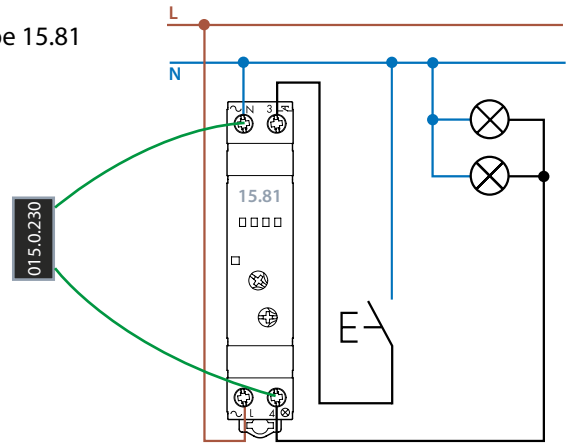


Install and connect the module between the Output and Neutral, in parallel with the lamps - according to the Dimmer Type

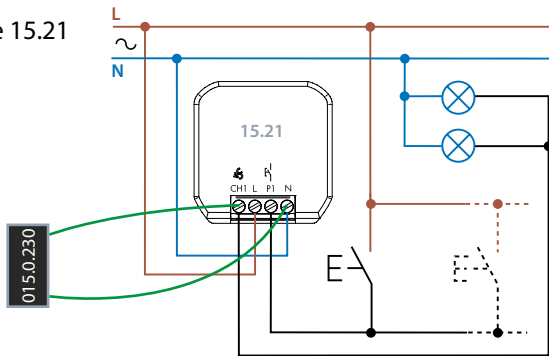
Type 15.11



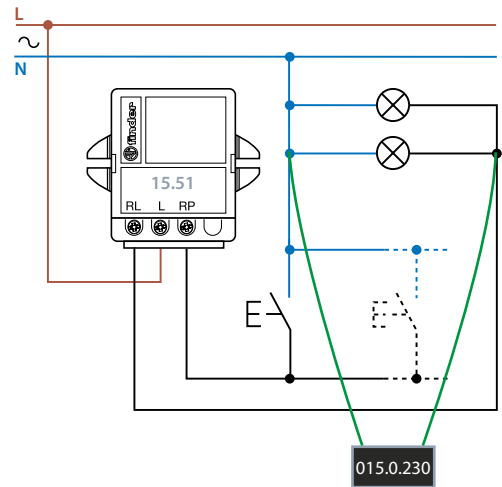
Type 15.81



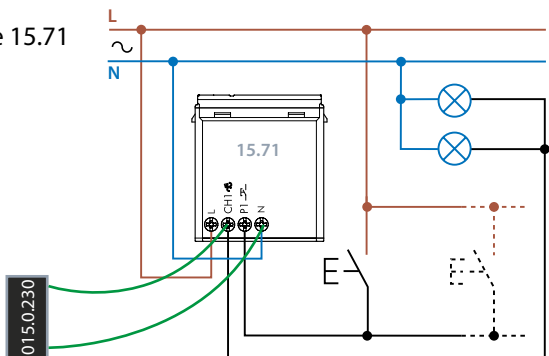
Type 15.21



Type 15.51



Type 15.71



Type 15.91

