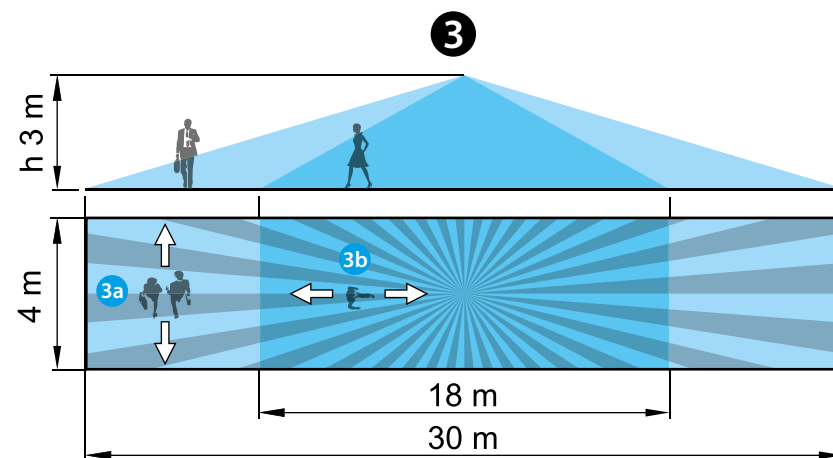
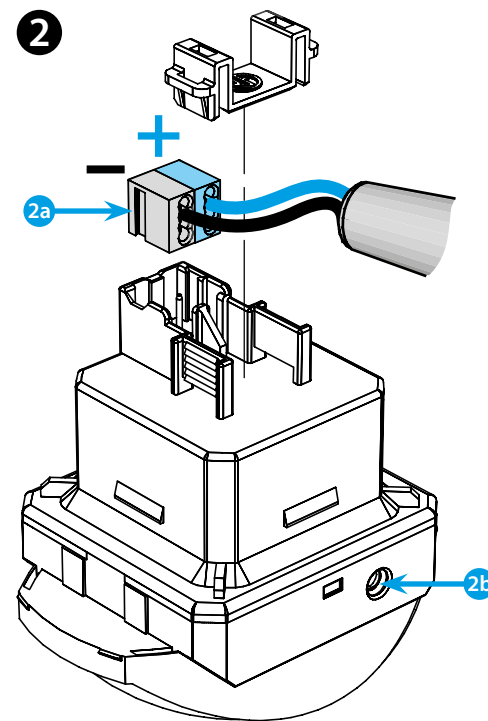
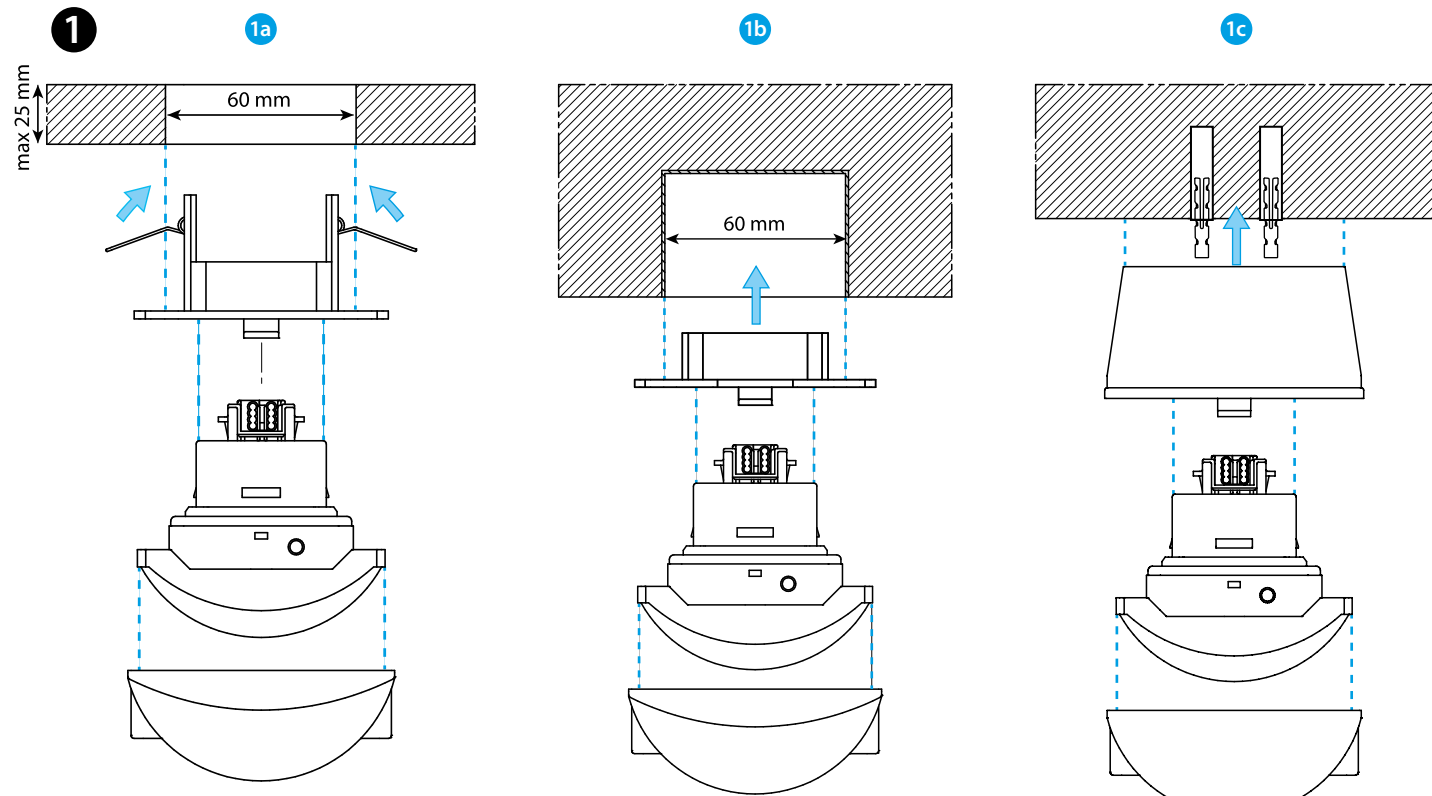




18.4K

18.4K.9.030.0001	
IN	BUS KNX 29 V DC (21...32 V DC) SELV
	(-5...+45)°C
IP40	



ENGLISH

18.4K.9.030.0001
PIR MOVEMENT AND PRESENCE DETECTOR KNX BUS

- 1 INSTALLATION**
 1a Suspended ceiling mounting
 1b Recess mounting
 1c Surface mounting

- 2 WIRING DIAGRAM**
 2a KNX BUS supply
 2b KNX programming button

- 3 SENSING AREA**
 Sensing area (h = 3 m):
 30 m length – 4 m width
 3a Tangential movement
 3b Radial movement

NOTE
 - The product shall not be used for safety functions
 - Environmental class according to EN 50491-2: Weather protected in uncontrolled conditions, temperature -25...+55 °C
 - Verify the correct address of the device and the setting parameters via ETS software
 - EN 60669-1 / EN 60669-2-1 / EN 50491
 - IP40